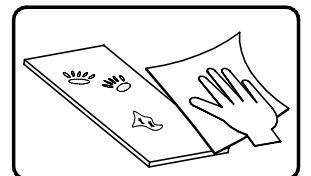
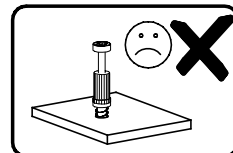
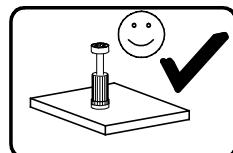
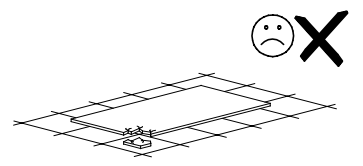
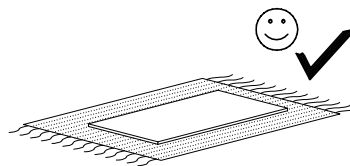
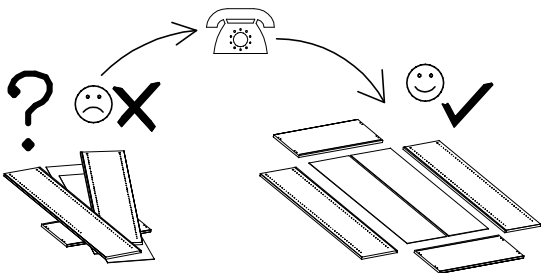
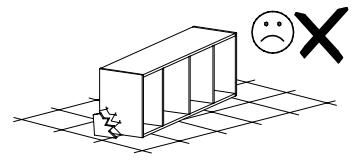
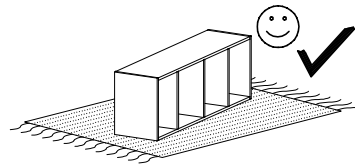
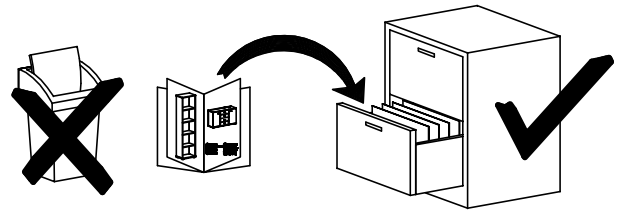
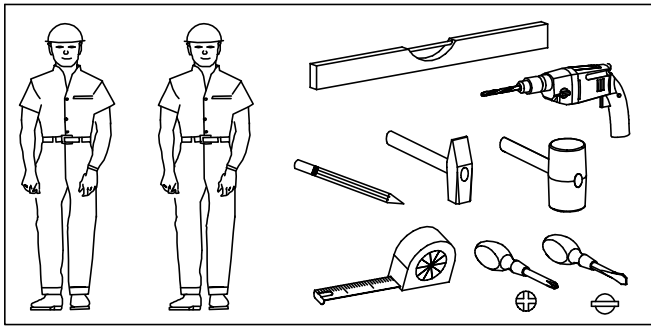
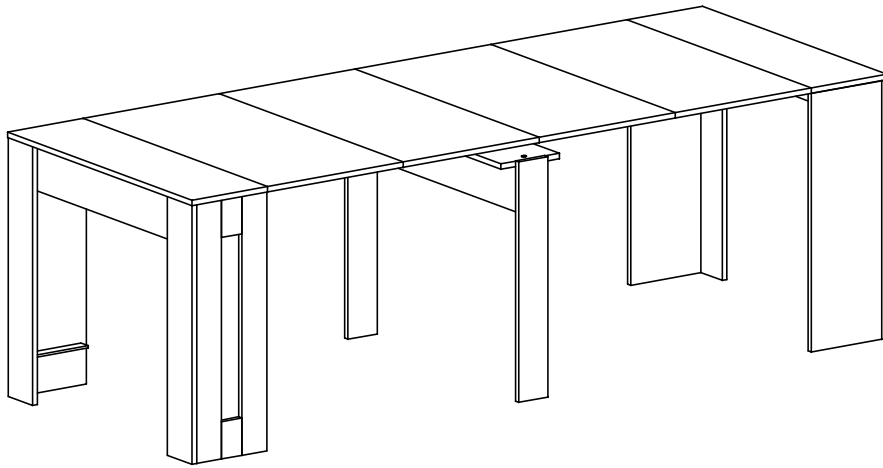
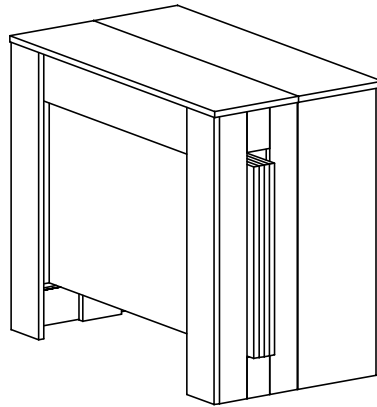
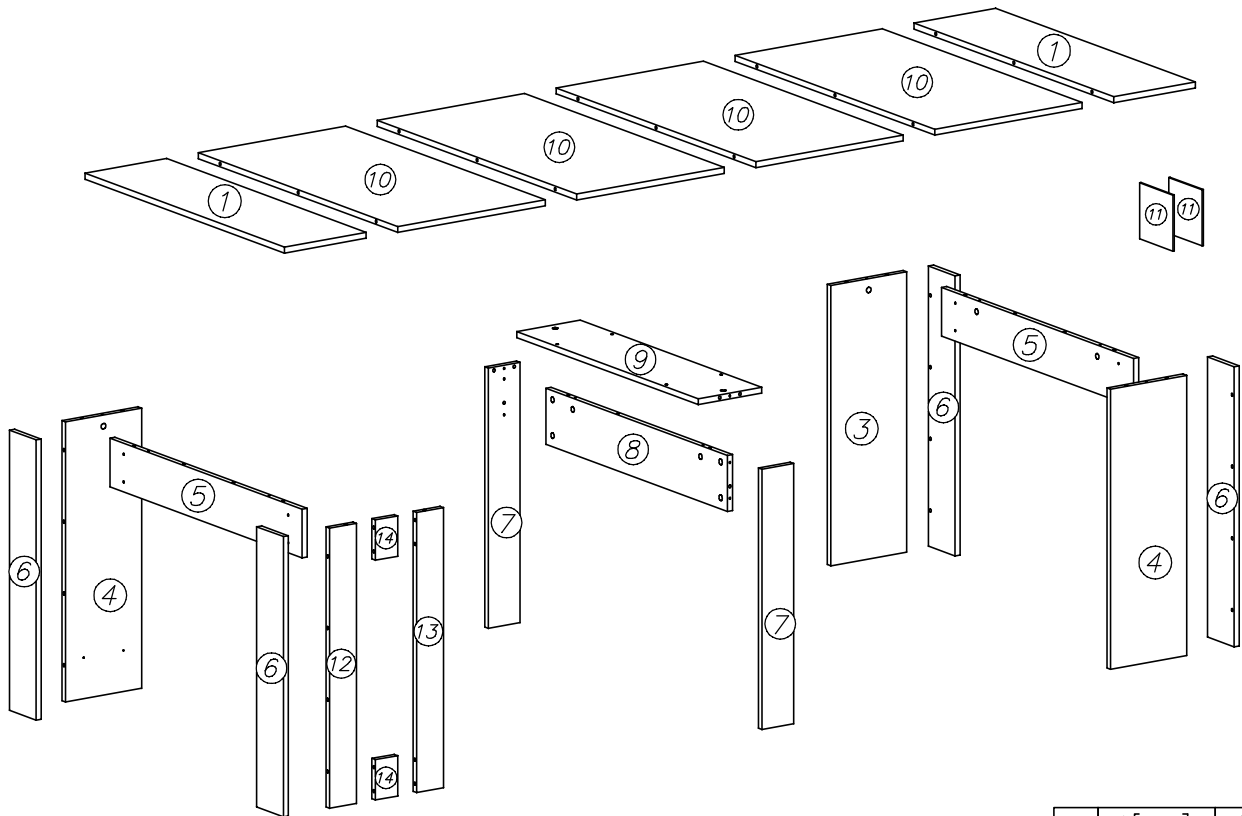
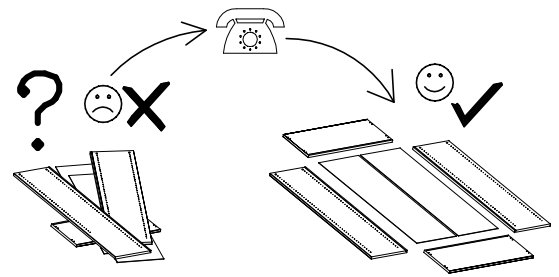
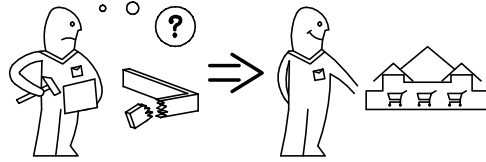
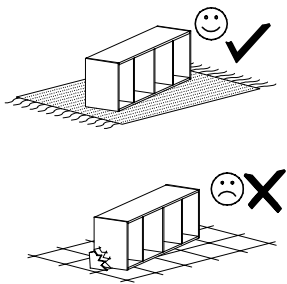


# CONSOLA 237 PLUS



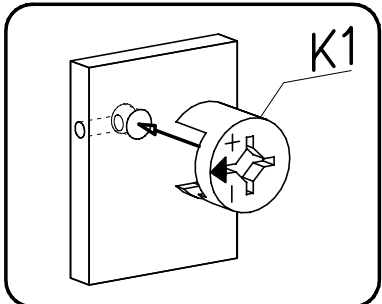
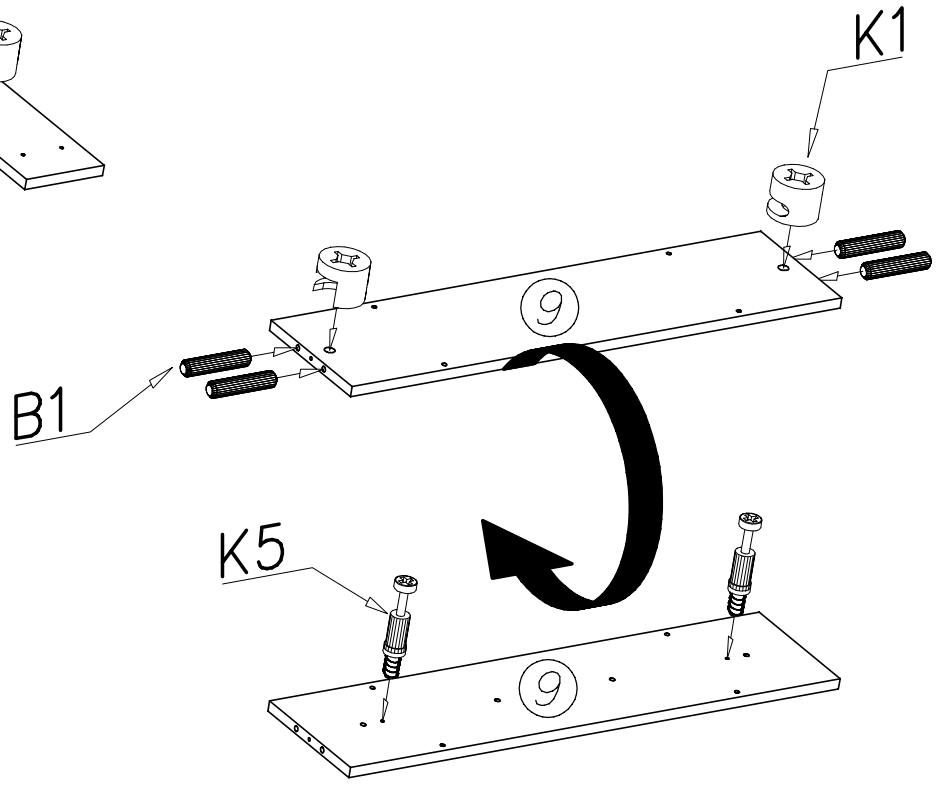
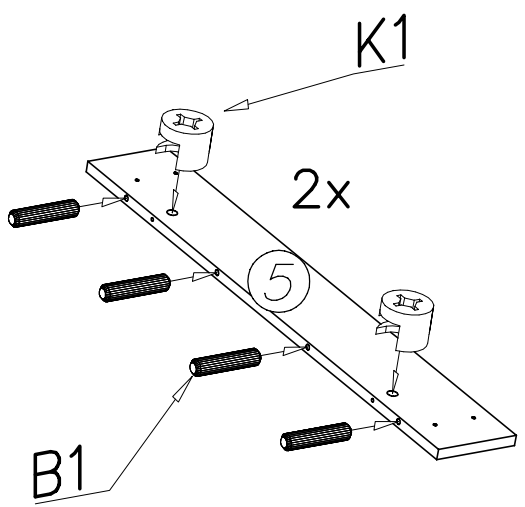
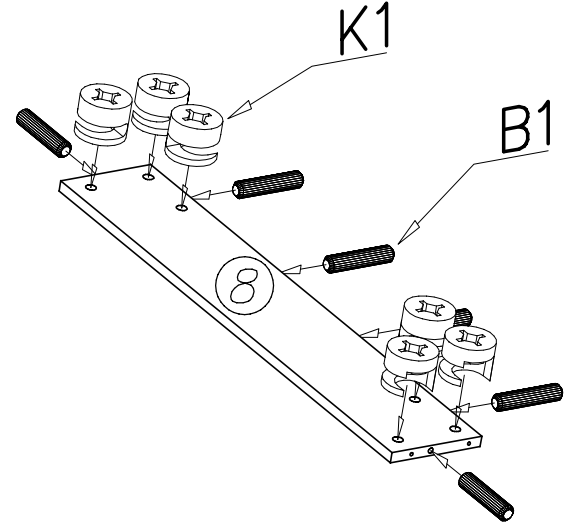
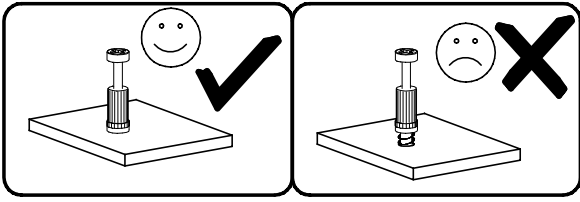
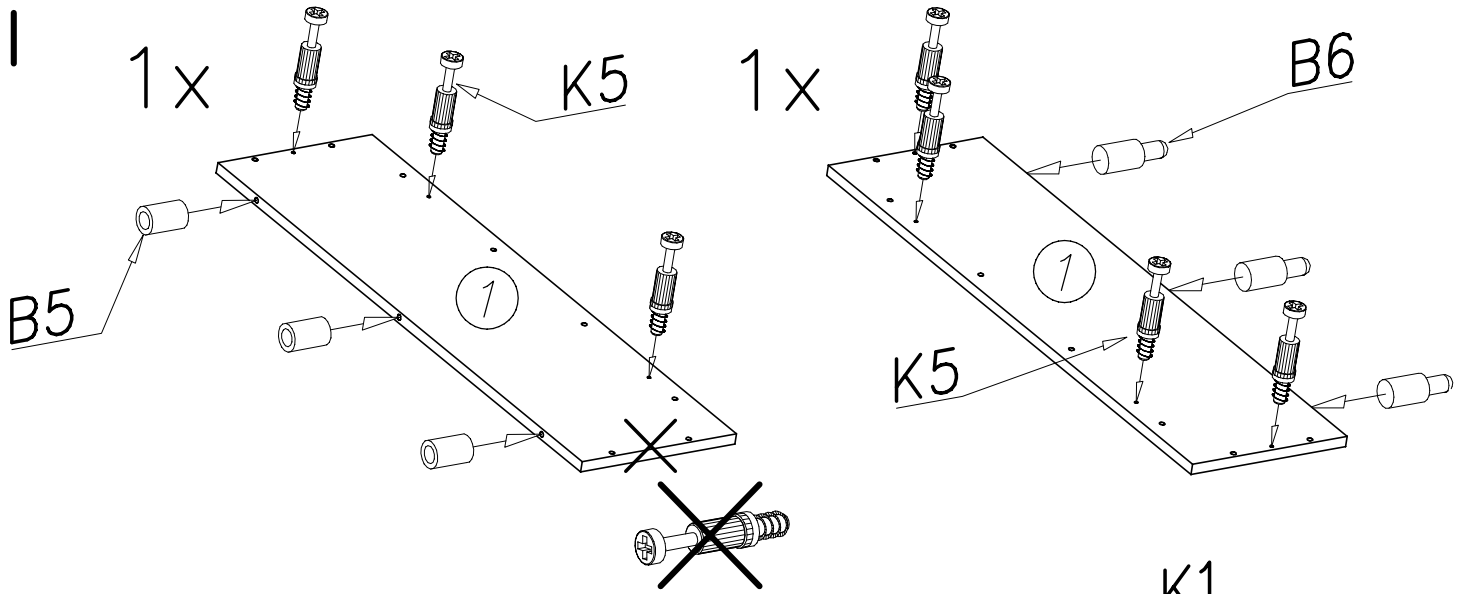
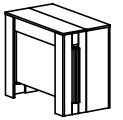
# CONSOLA 237 PLUS

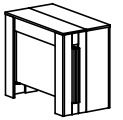


nr	L[mm]	D[mm]
1	900	258
3	750	240
4	750	240
5	860	130
6	750	120
7	709	120
8	818	150
9	818	200
10	900	465
11	150	150
12	750	85
13	750	85
14	120	70

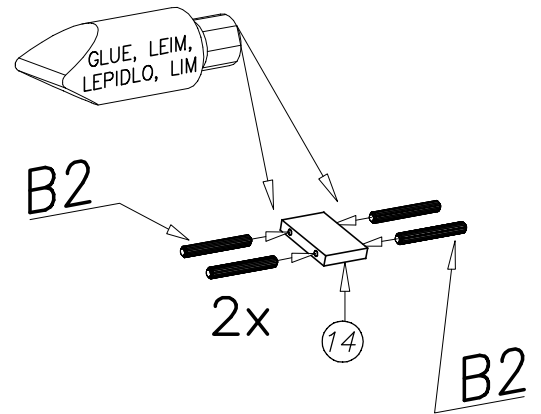
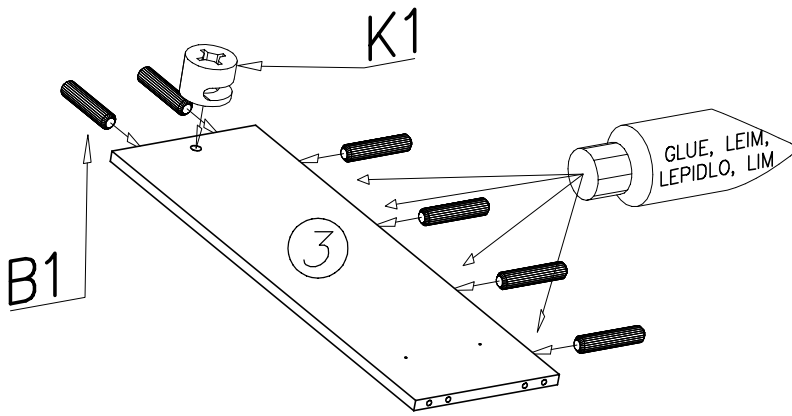
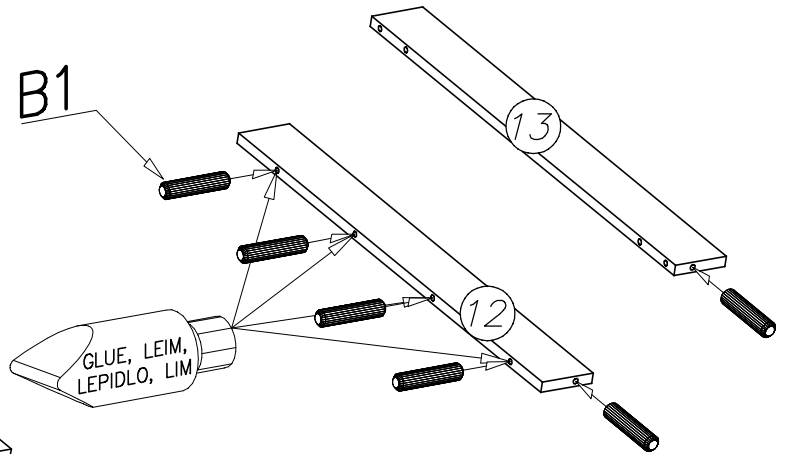
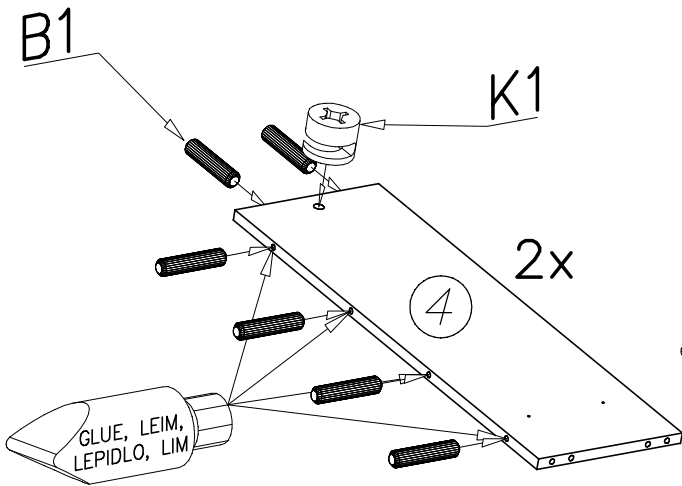
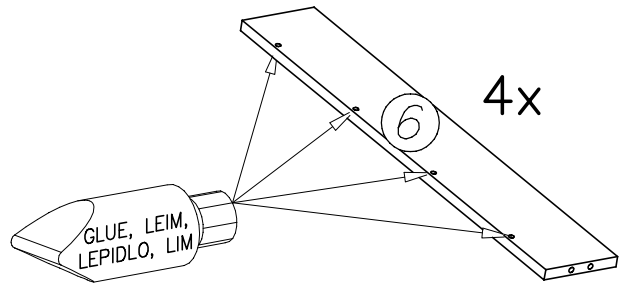
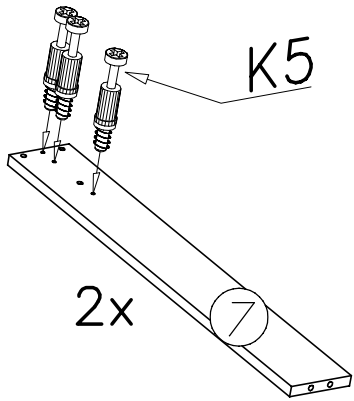


<b>W2</b>  x...(1)	<b>F15</b>  x...(2)	<b>E56</b>  128mm x...(1)	<b>W1</b>  GLUE, LEIM, LEPIDLO, LIM x...(3)	<b>G3</b>  4x30 x...(8)	<b>I7</b>  x...(15)
<b>K5</b>  x...(15)	<b>K1</b>  Ø15x12 x...(15)	<b>B5</b>  x...(15)	<b>B6</b>  x...(15)	<b>P3</b>  x...(14)	<b>H19</b>  x...(1)
<b>B2</b>  Ø6x35 x...(8)	<b>B1</b>  Ø8x35 x...(42)	<b>N31</b>  M6x25 x...(4)	<b>S13</b>  x...(8)	<b>G4</b>  4x16 x...(22)	

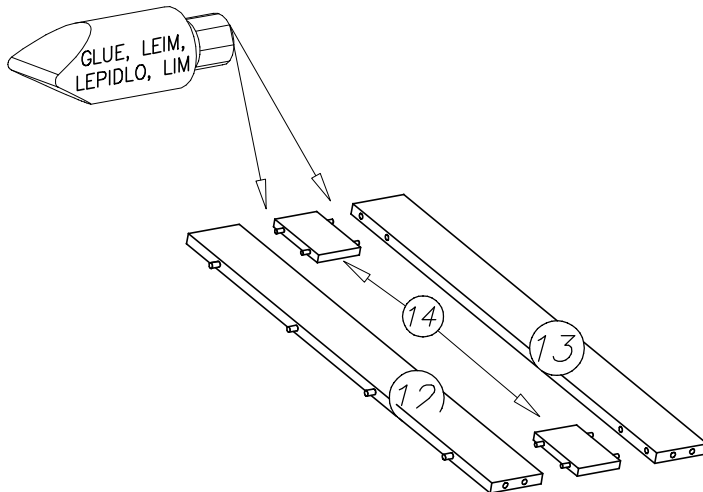


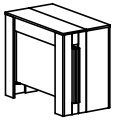


## II

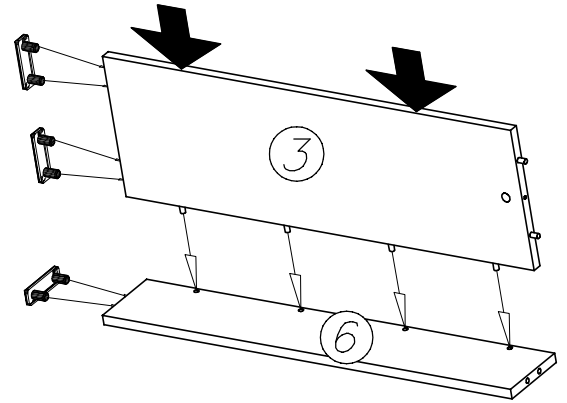
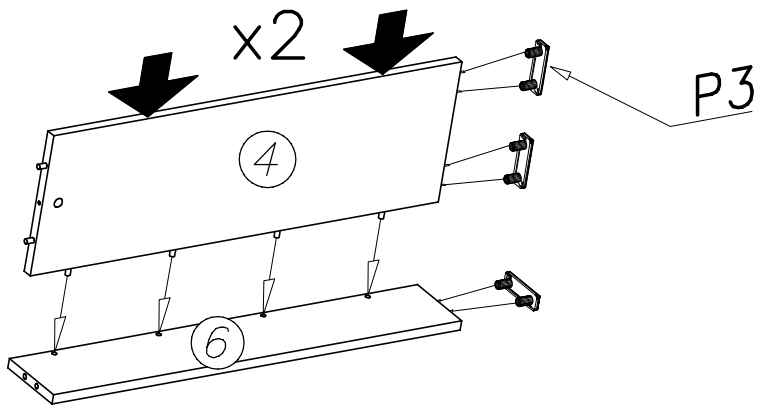


## III

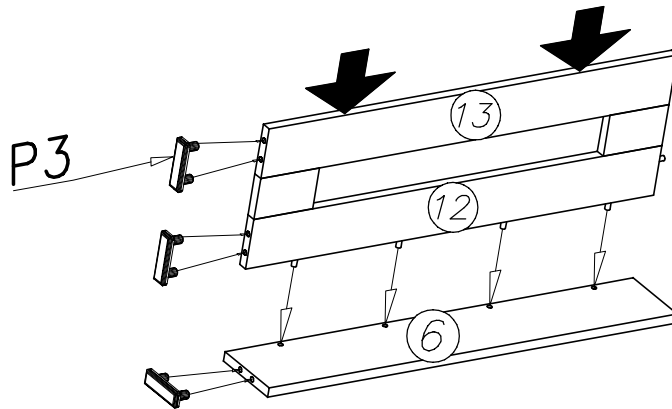
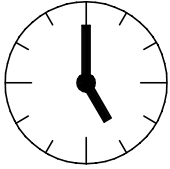




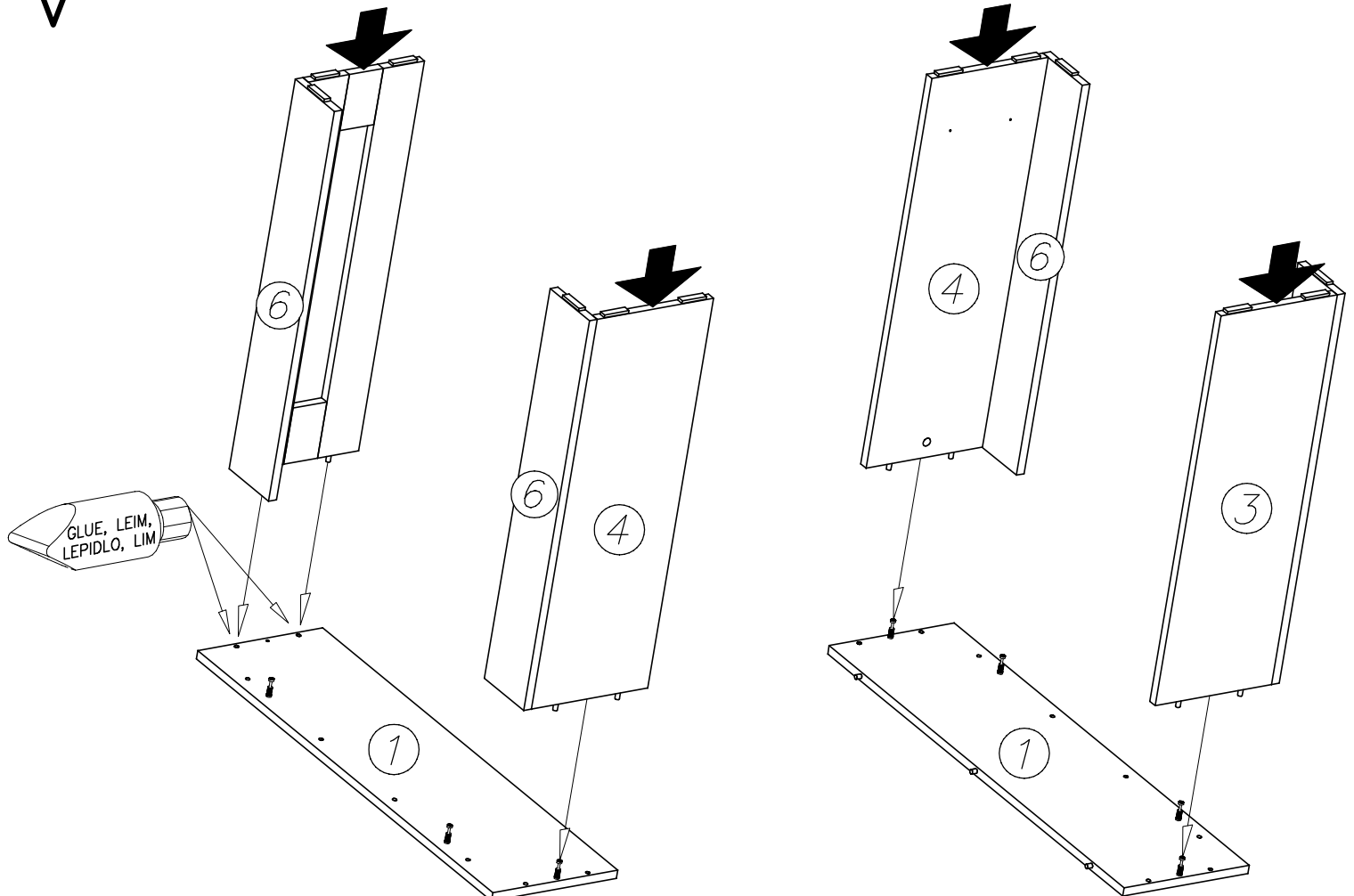
IV

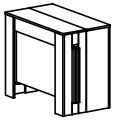


0,5h

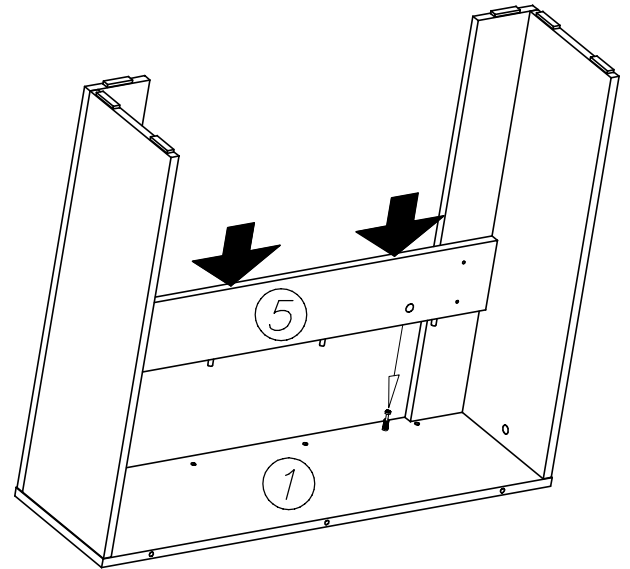
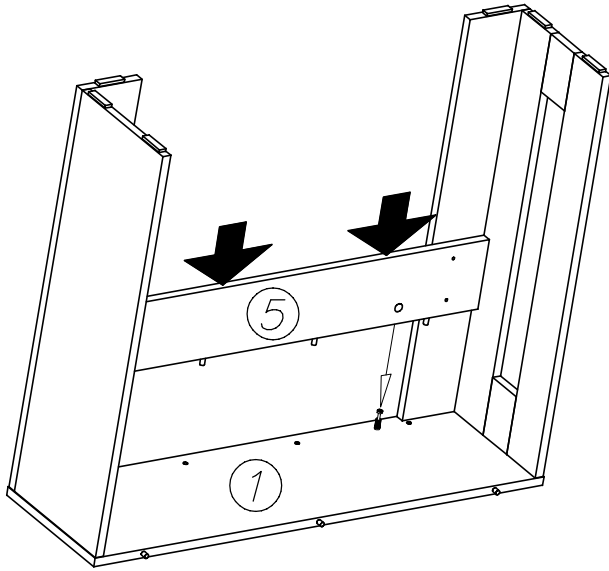
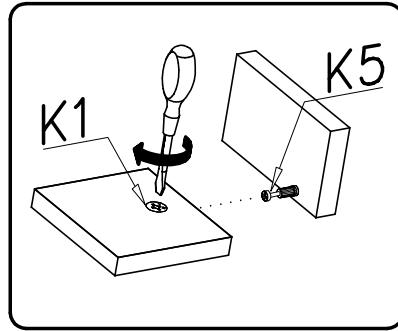


V

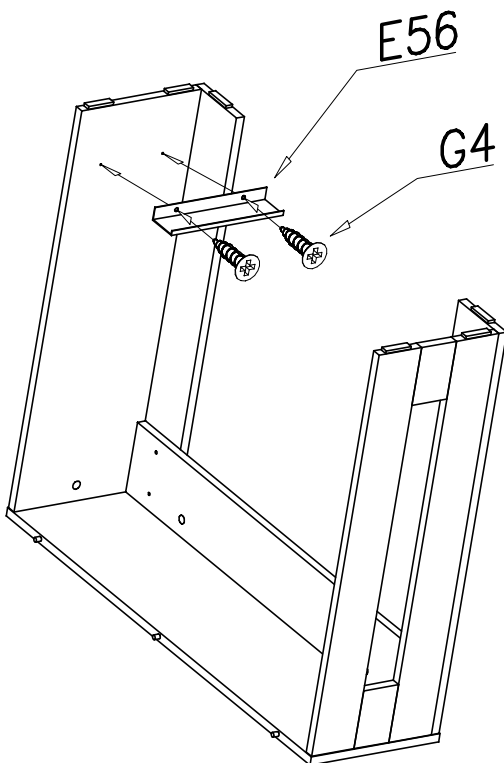




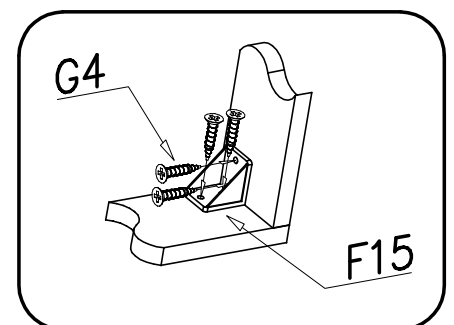
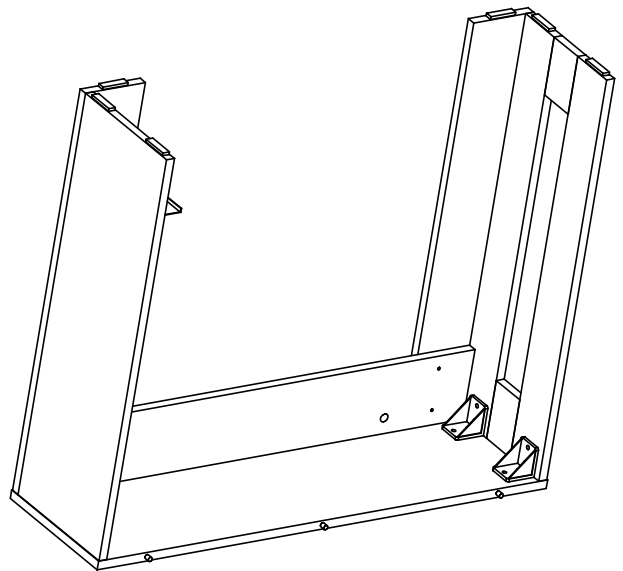
VI

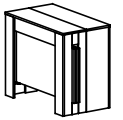


VII

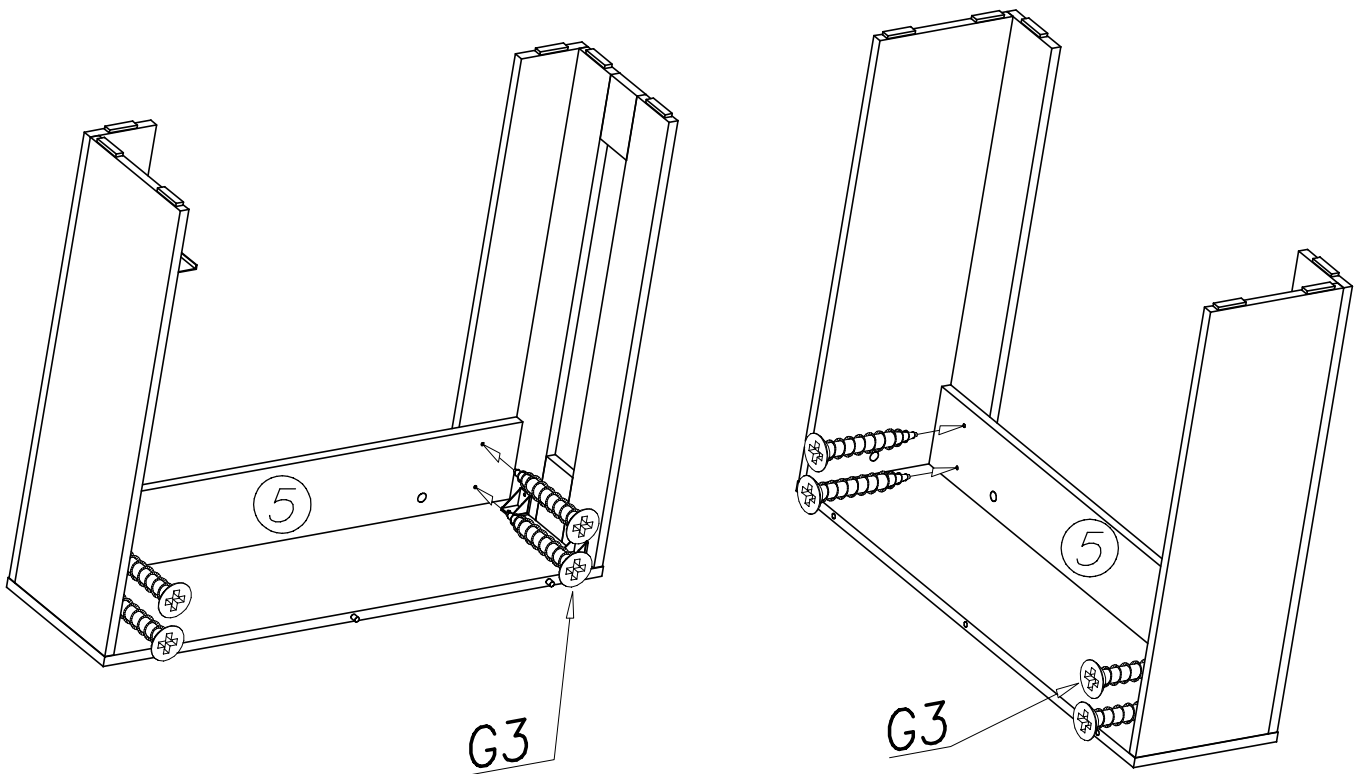


VIII

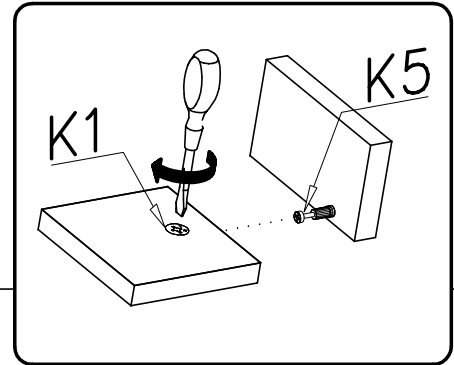
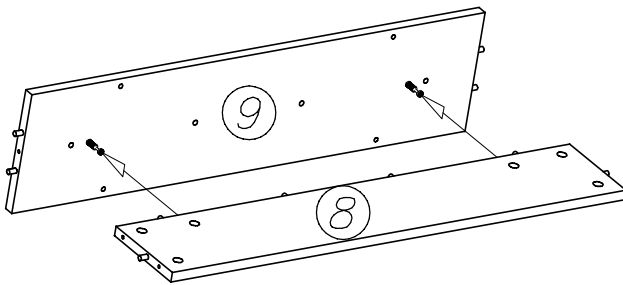




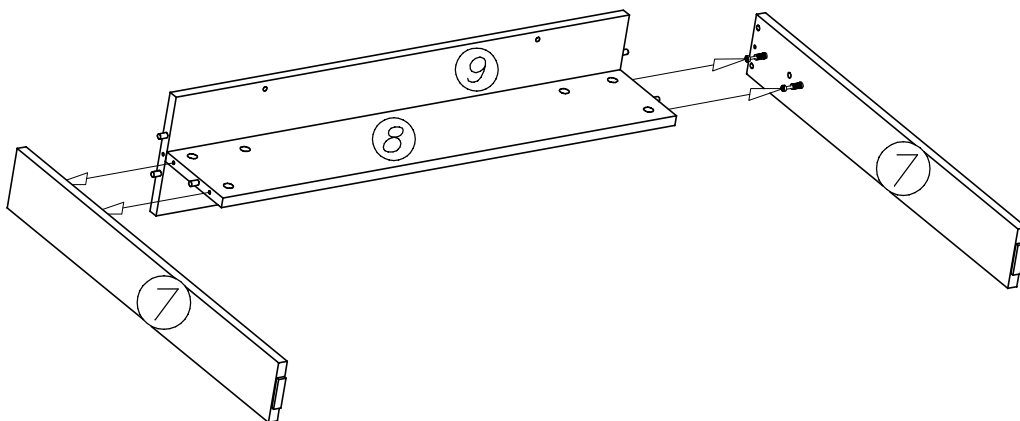
IX

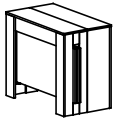


X

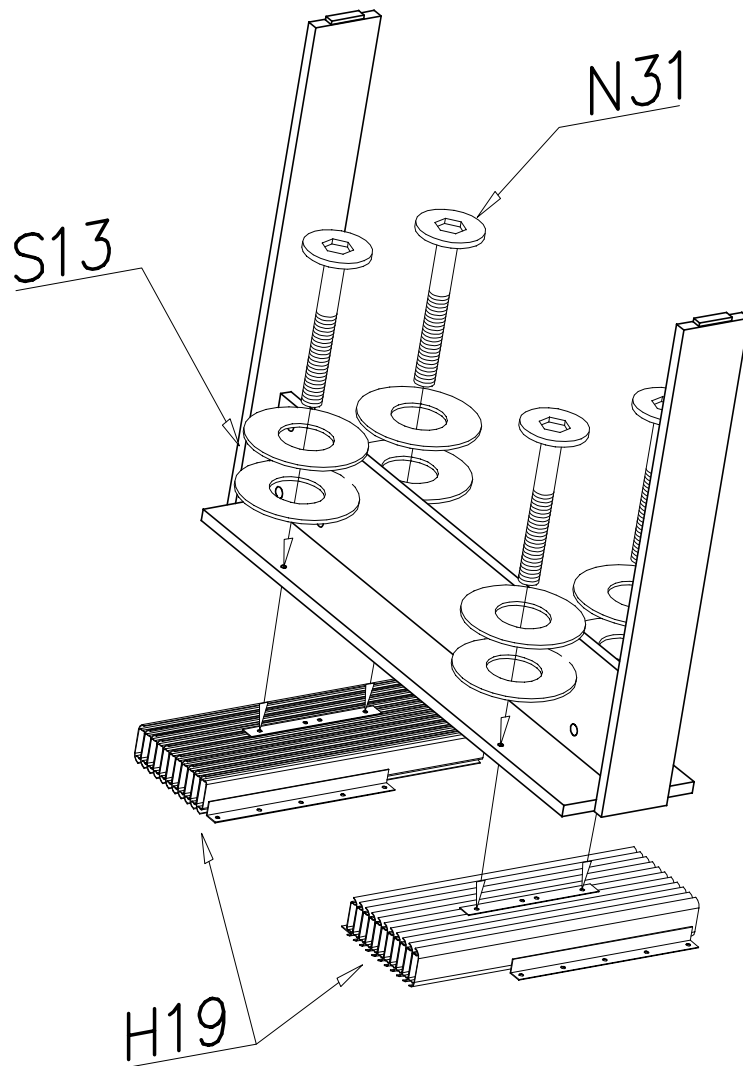


XI

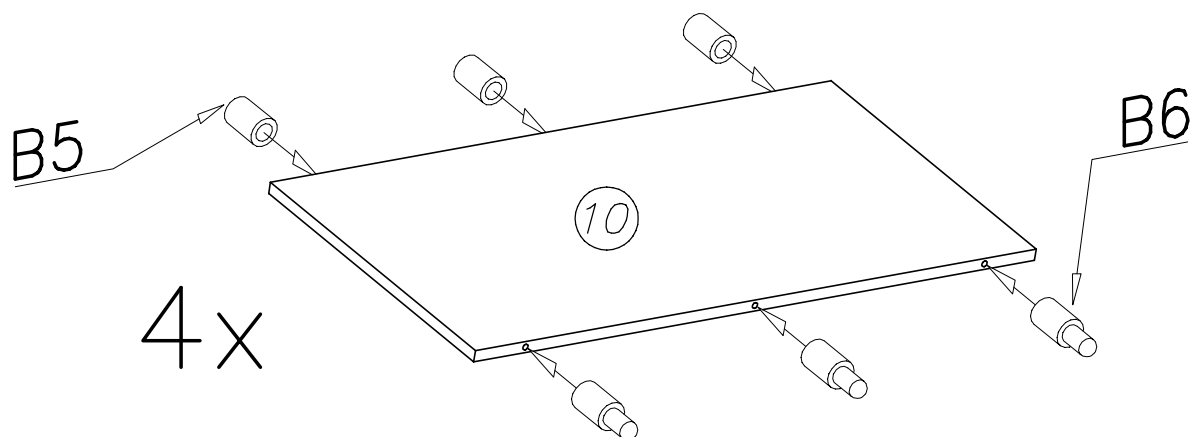




XII



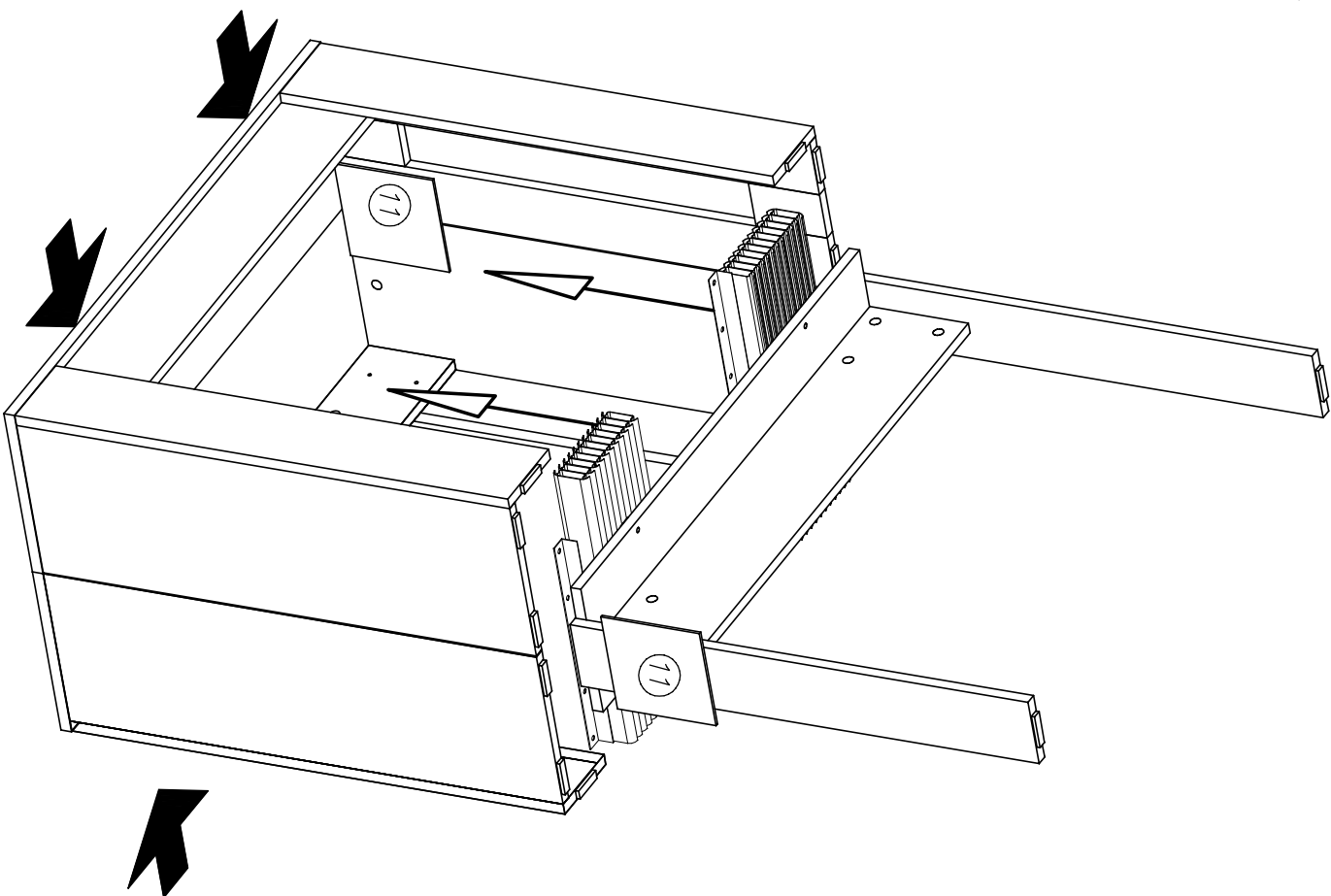
XIII



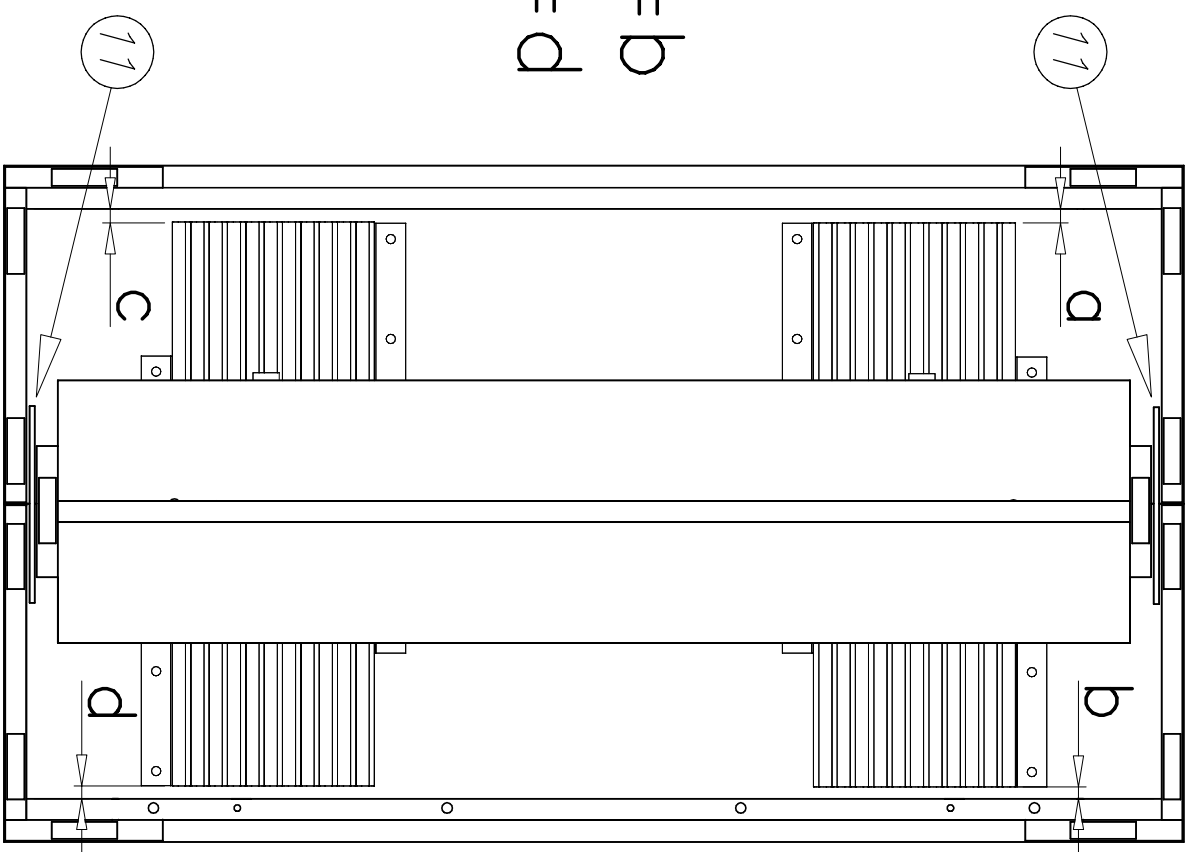




XIV

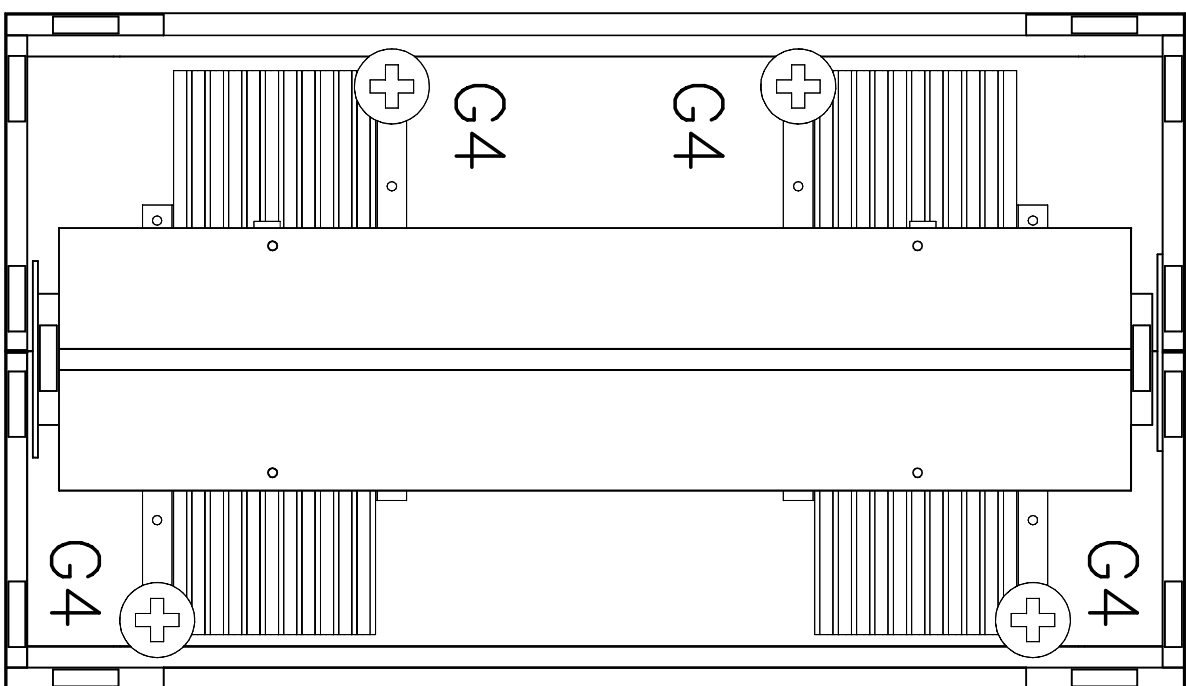
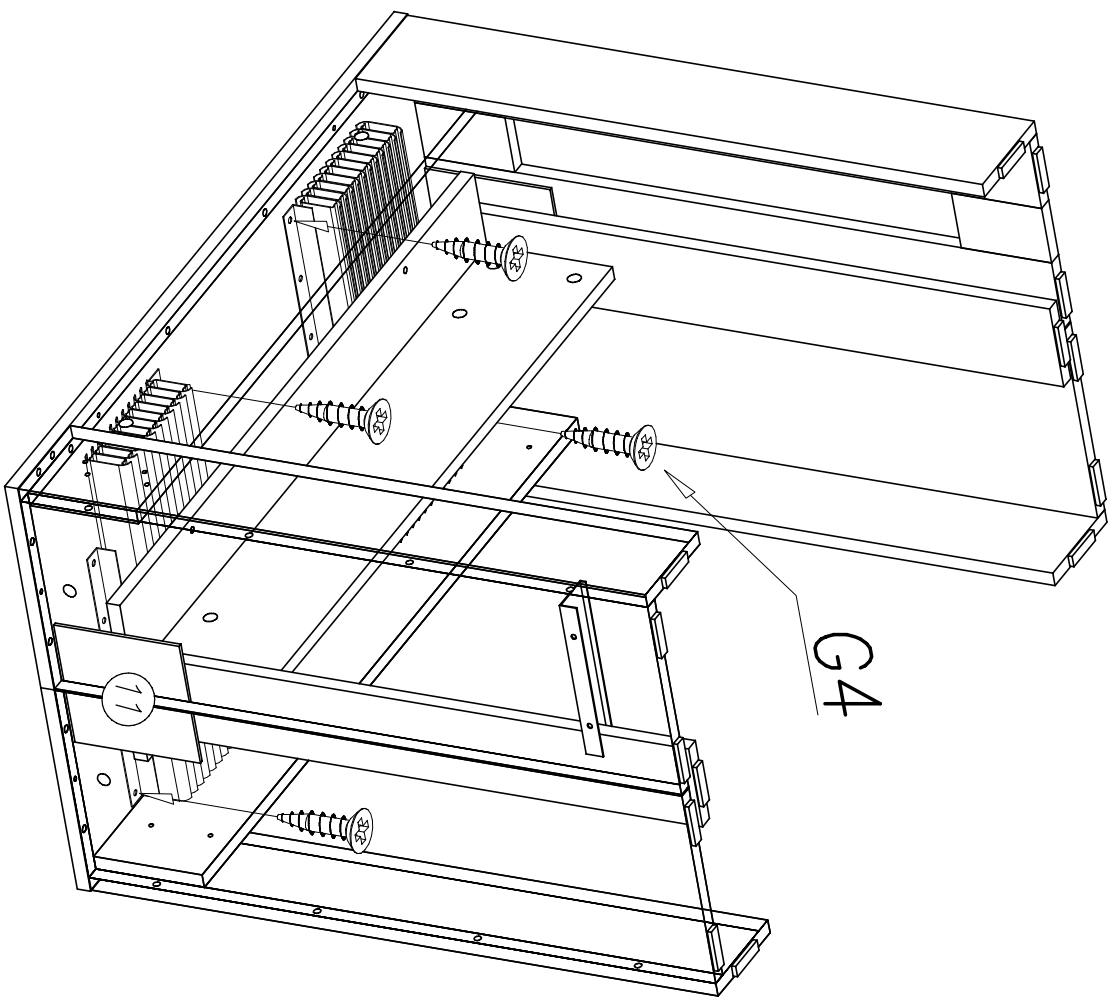


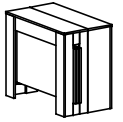
$a = b$   
 $c = d$



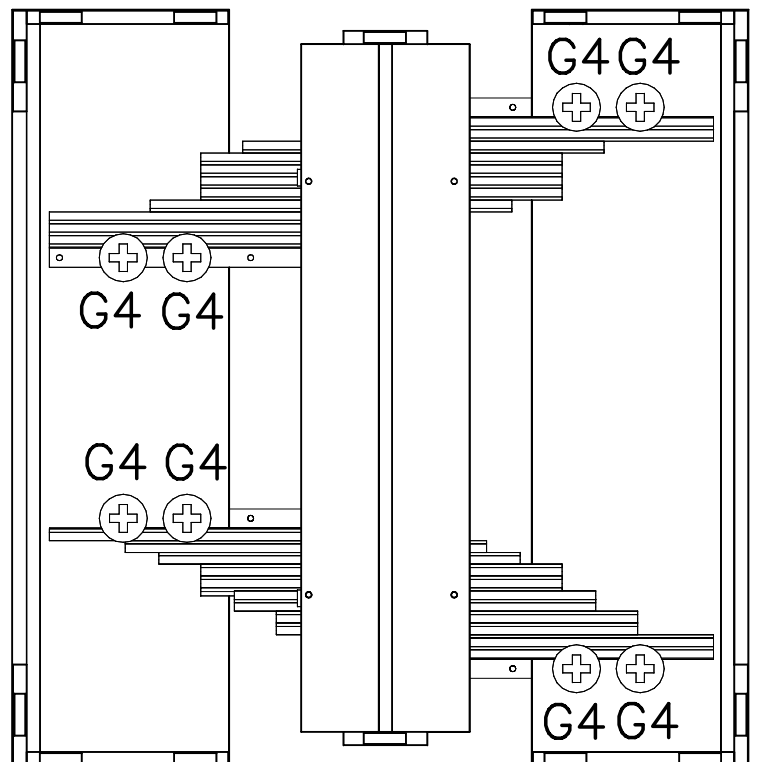
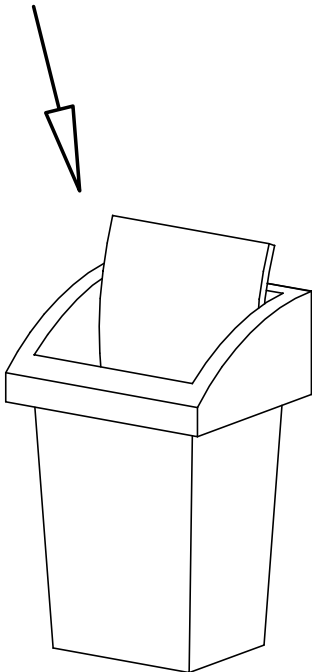
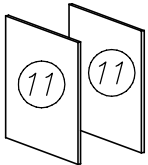
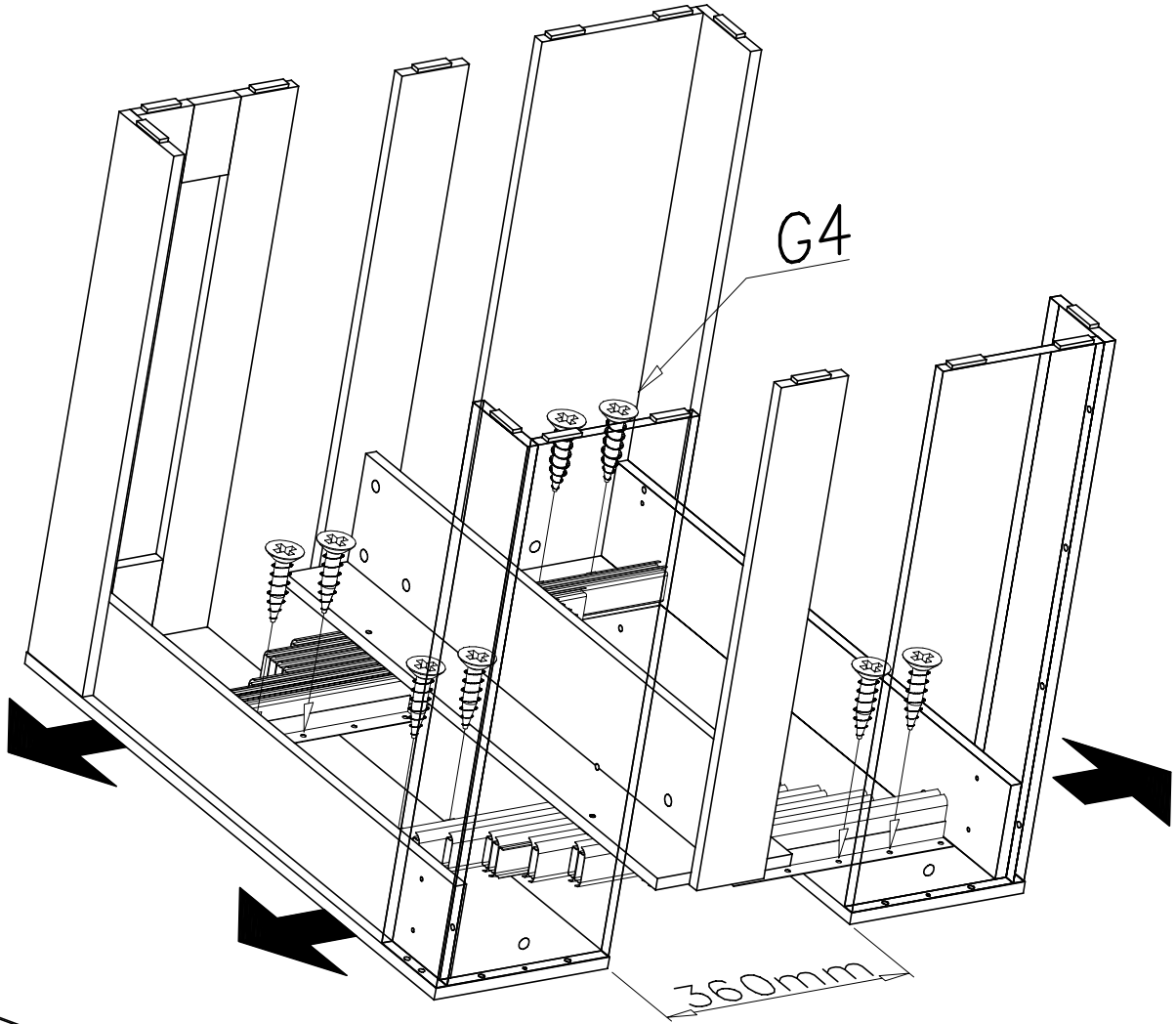


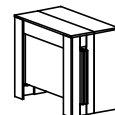
XV



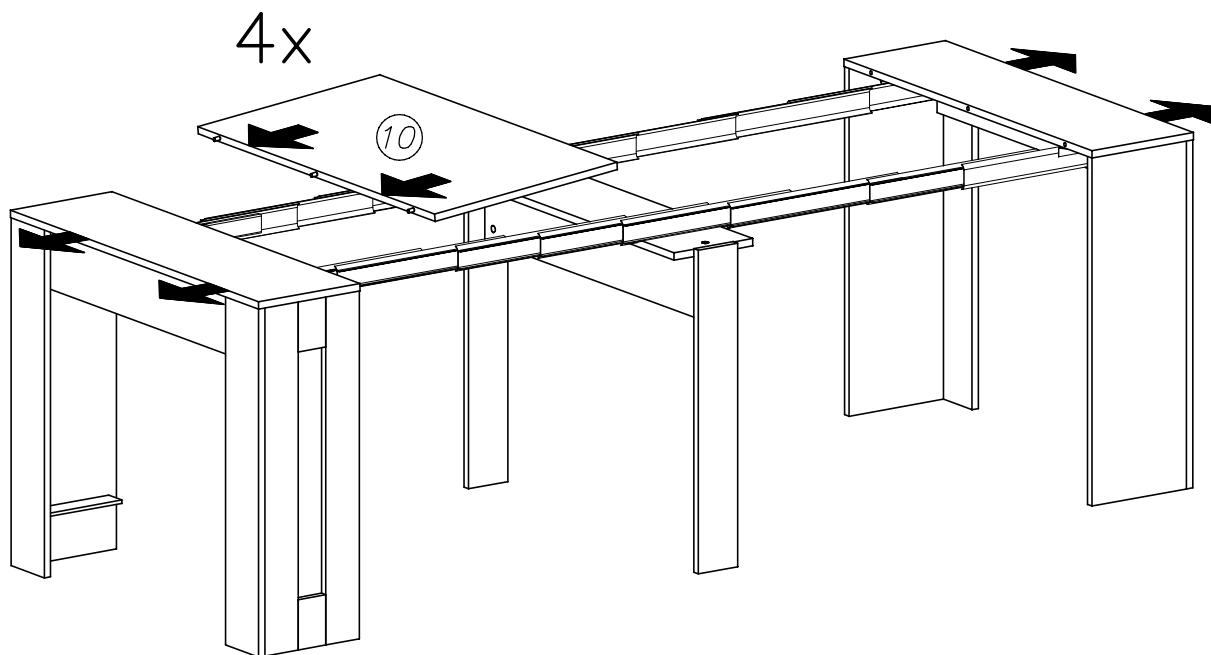


## XVI

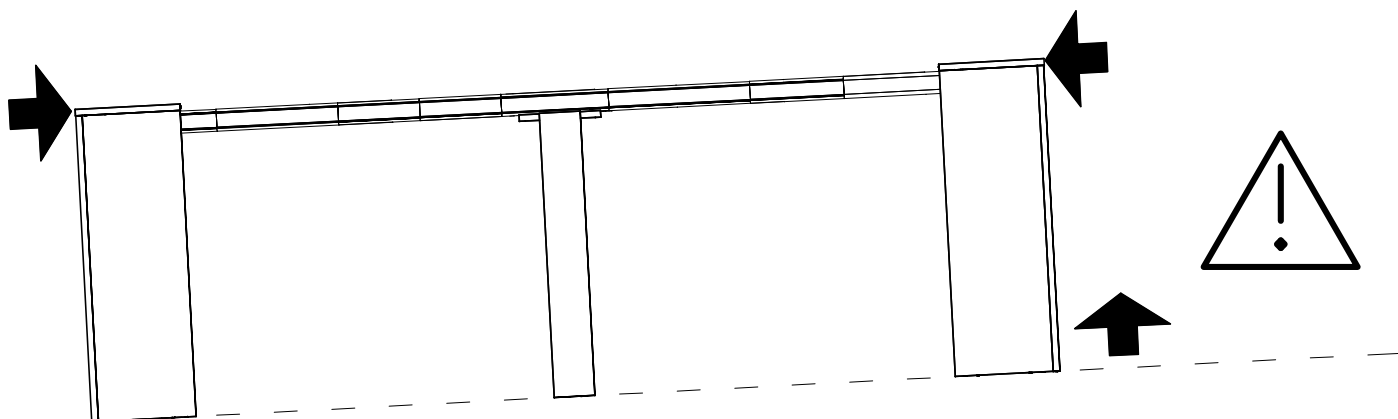




## XVII



## XVIII



## XIX

