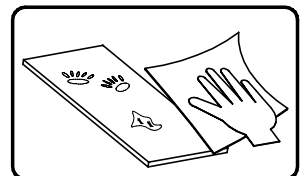
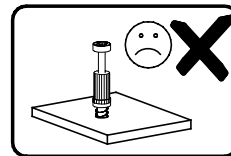
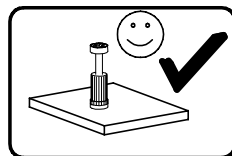
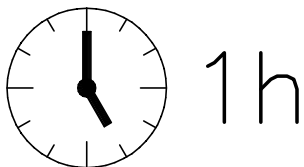
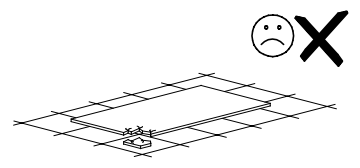
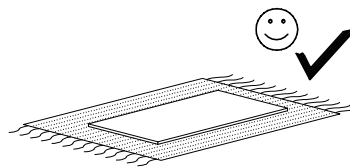
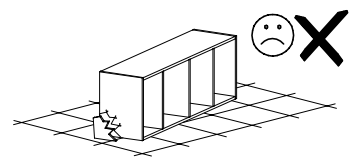
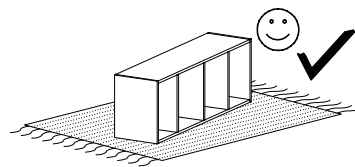
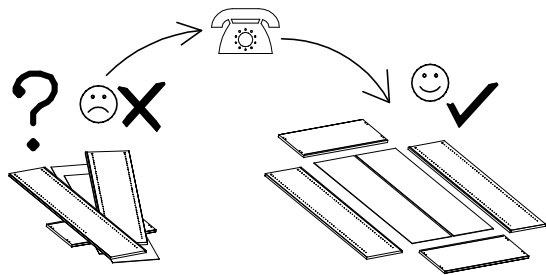
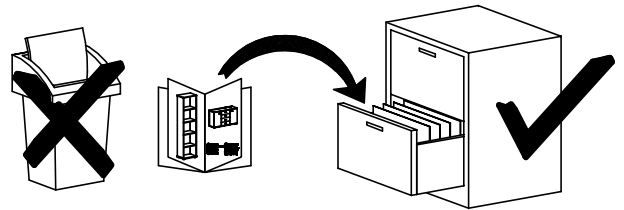
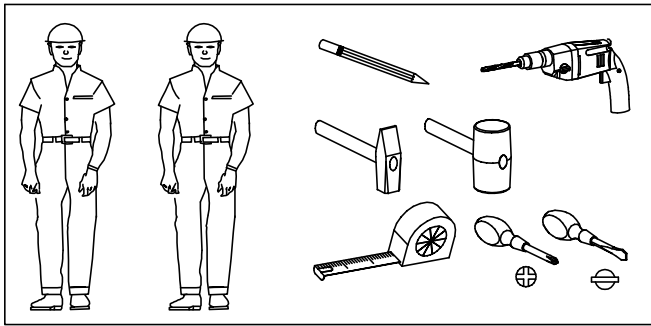
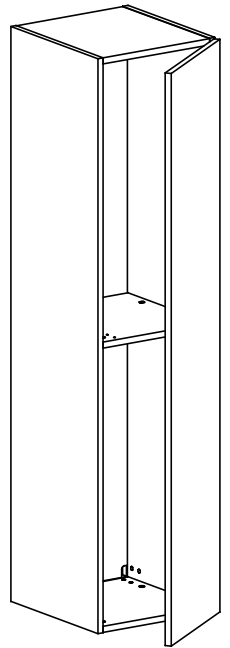
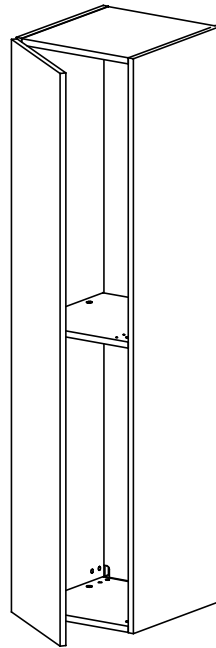
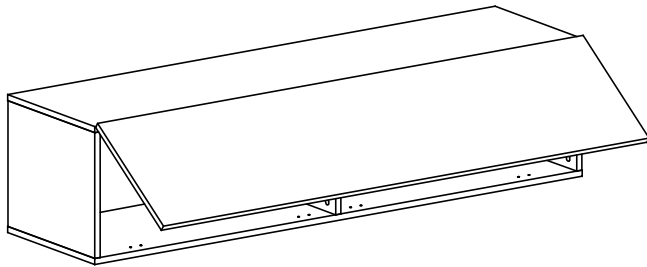
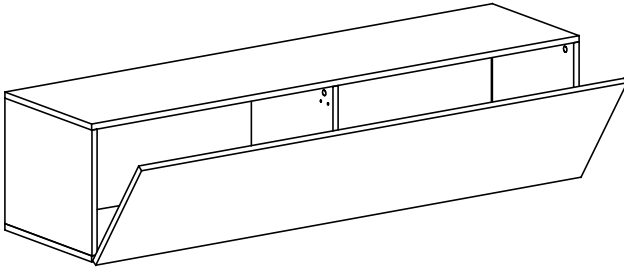
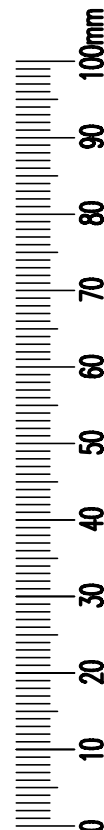
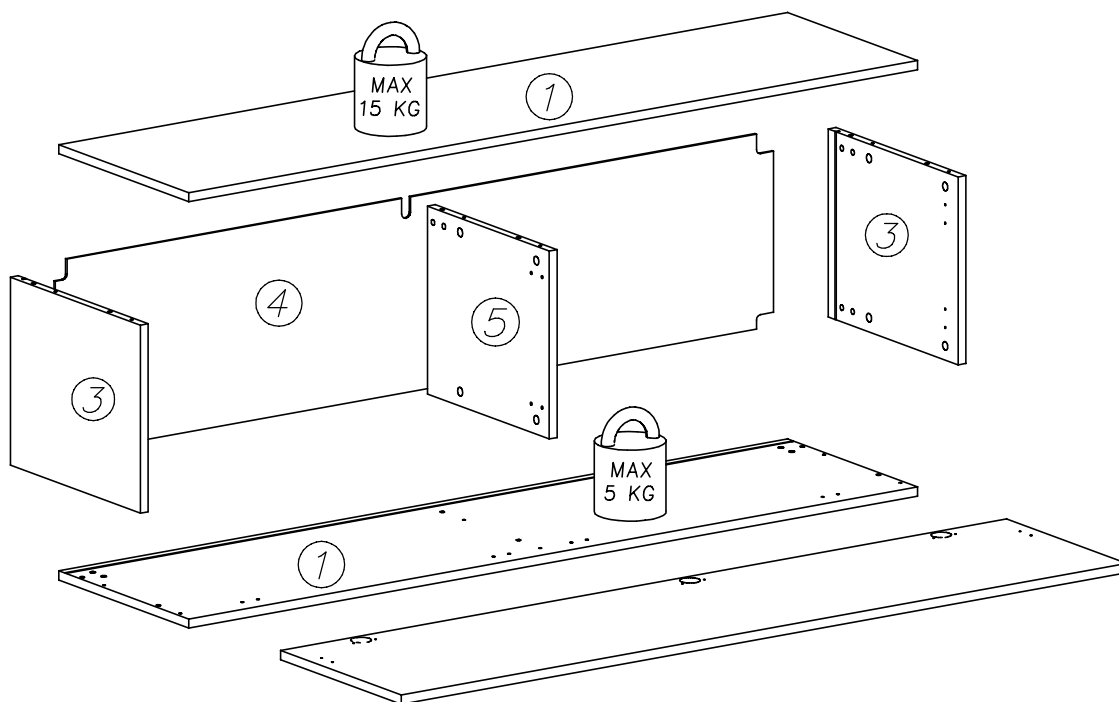
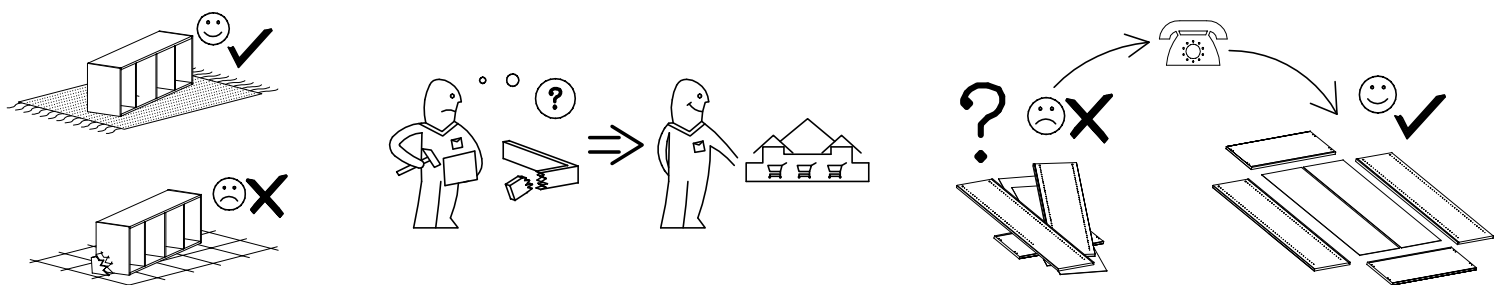
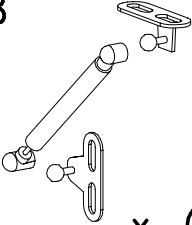
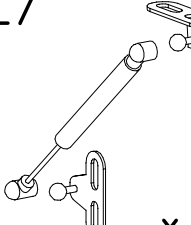
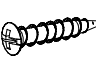
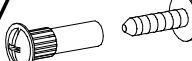
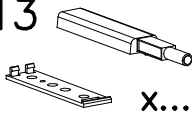
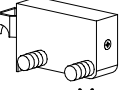
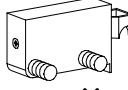


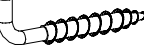


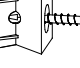

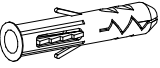
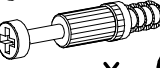

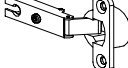




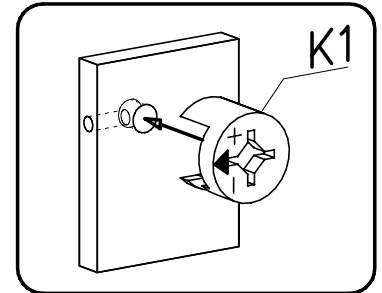
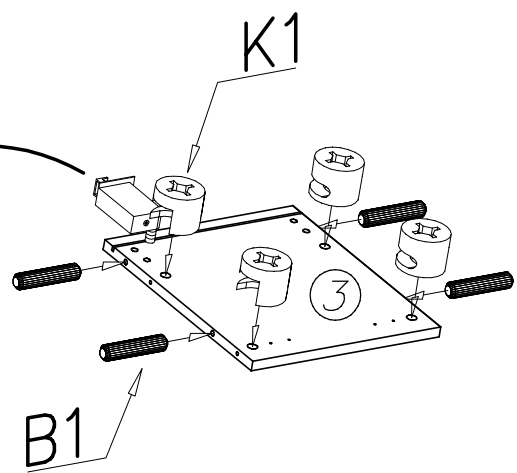
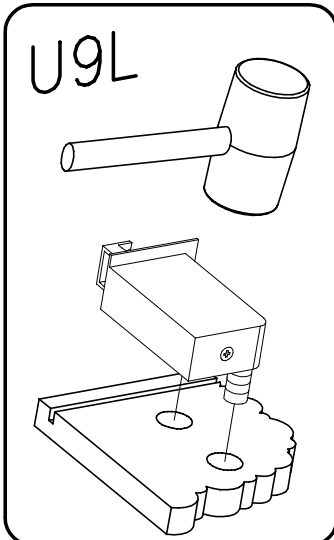
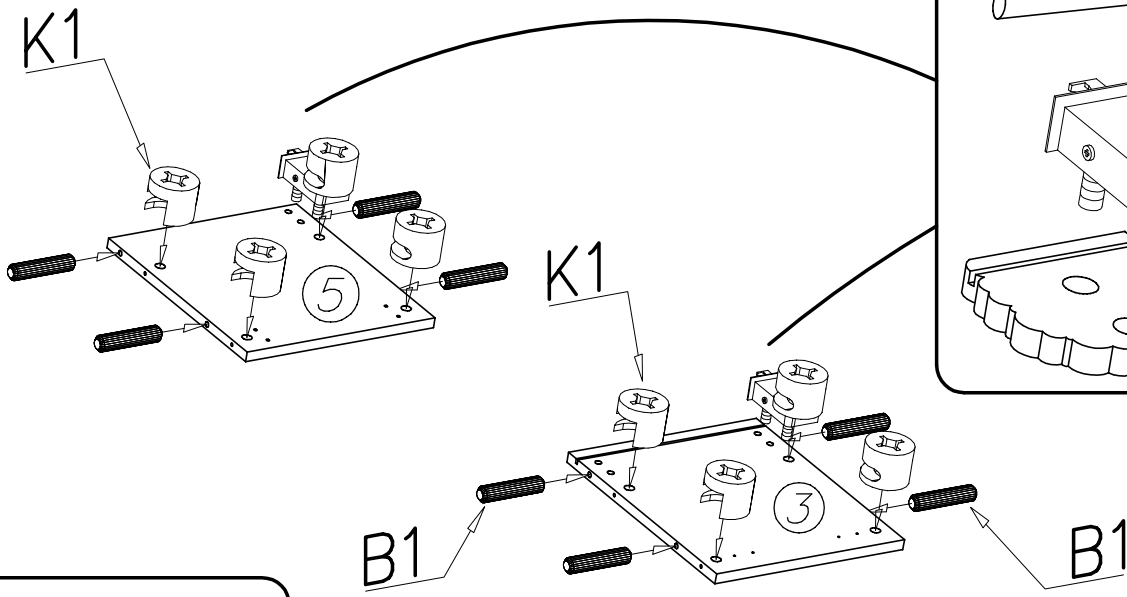
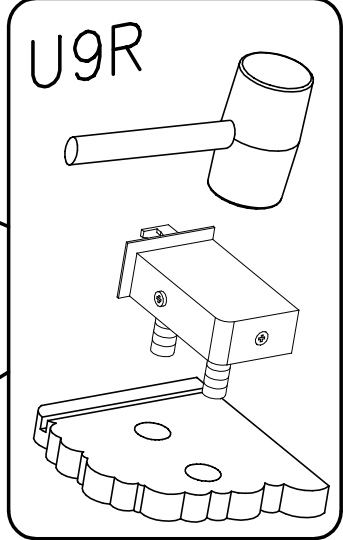
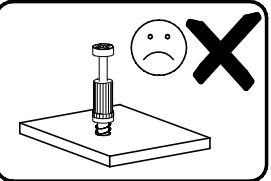
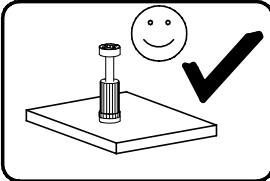
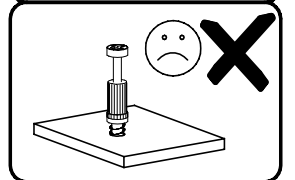
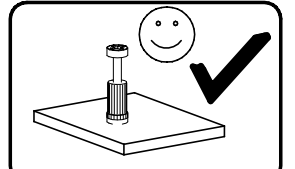
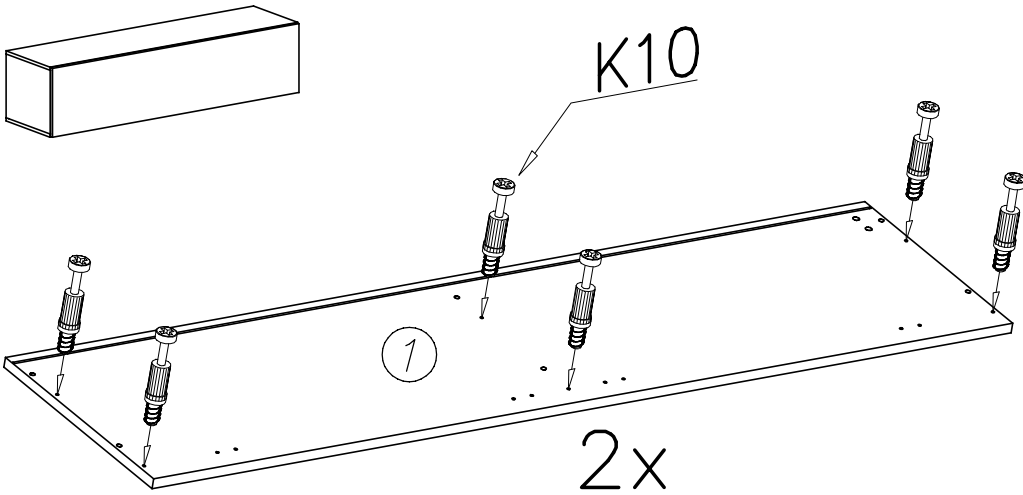
RTV 08 – 1500

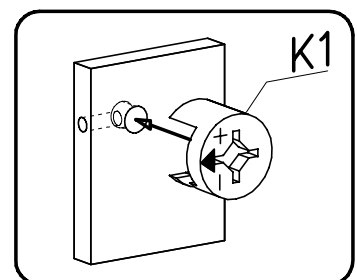
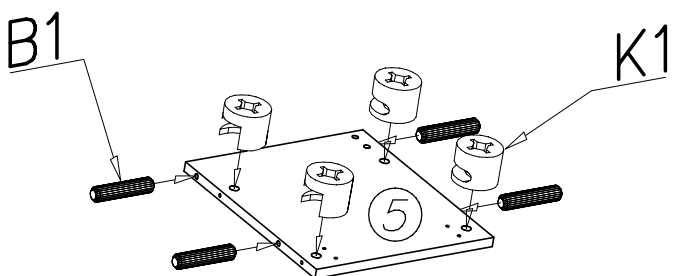
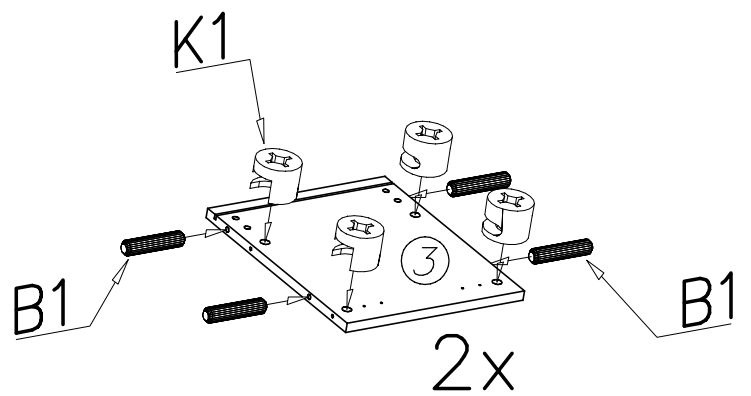
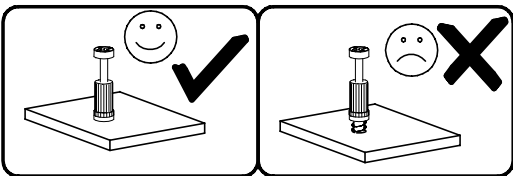
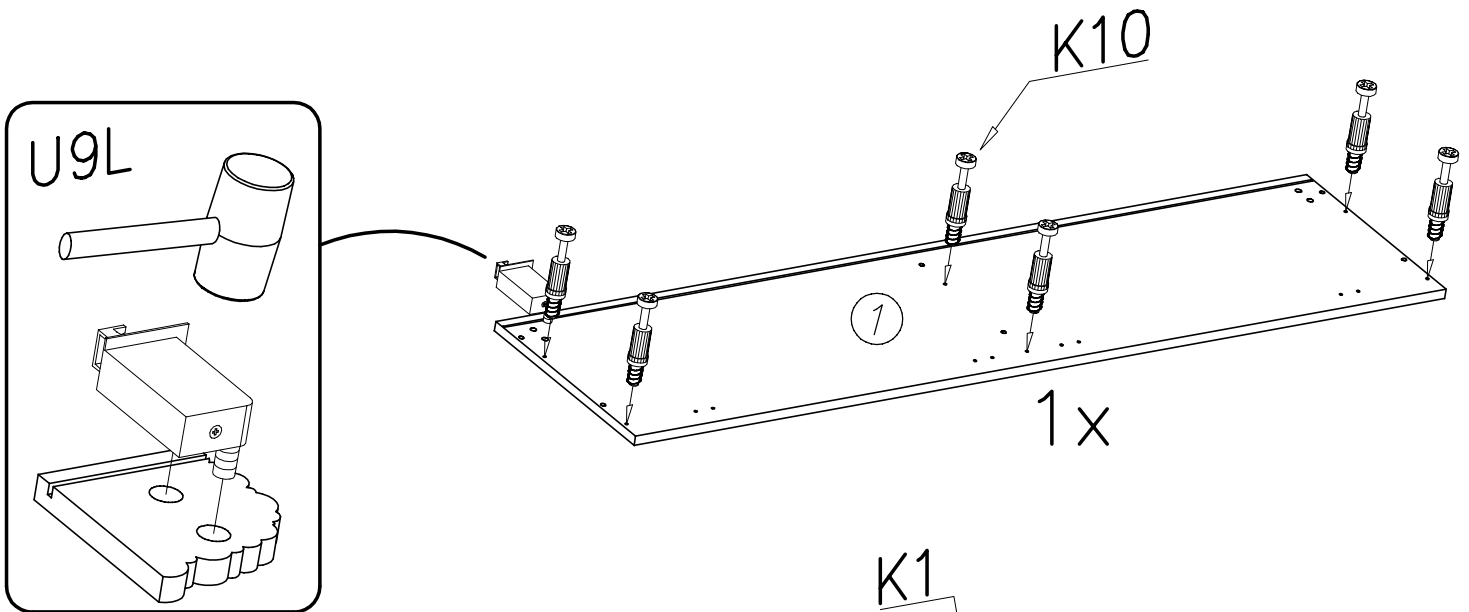
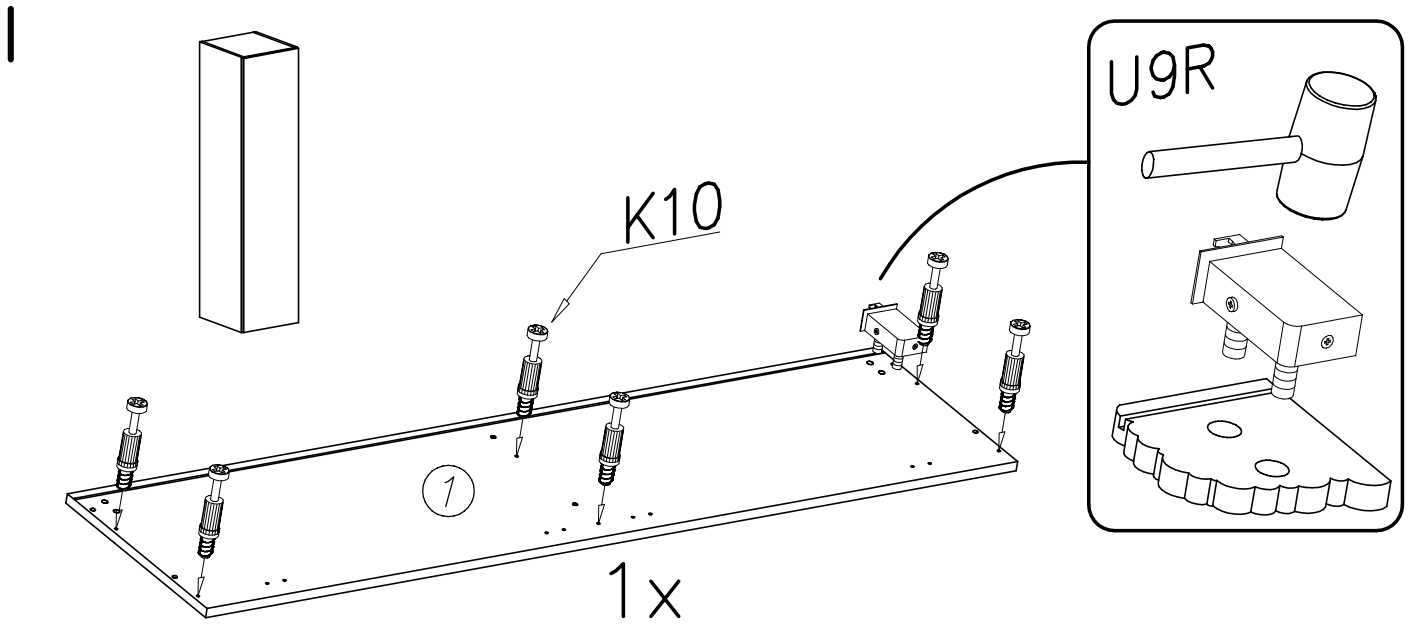




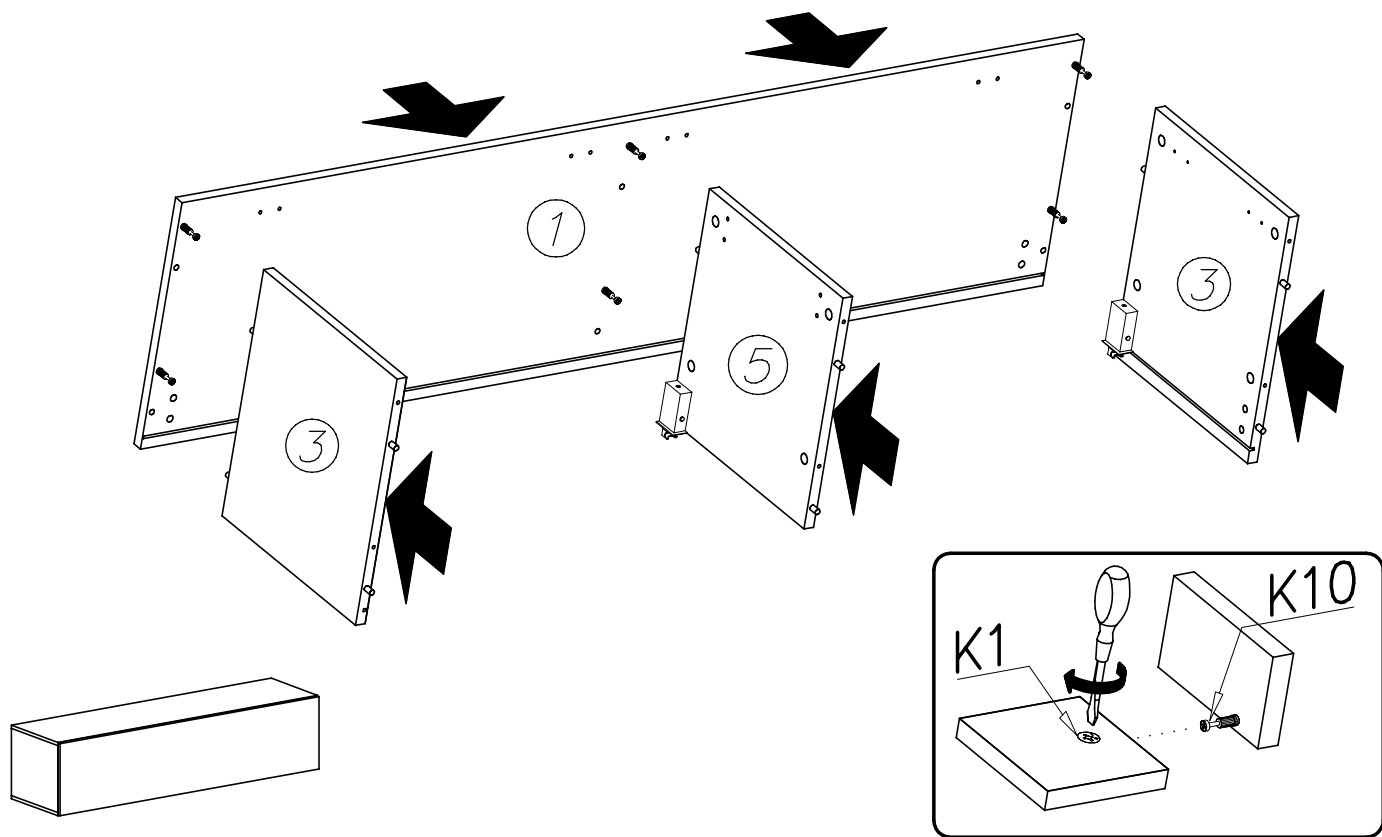
L8  x...(2)	L7  x...(2)	G32  3,5x16 x...(16)	N7  M4x15 x...(2)	L13  x...(2)
U9L  x...(1)	U9R  x...(2)	I4  ø5 x...(12)	I10  ø10 x...(12)	U7  x...(3)
K1  ø15x12 x...(12)	I7  x...(12)	I1  x...(6)	G57  3,5x16 x...(4)	U8  ø10x60 x...(3)
K10  x...(12)	B1  ø8x35 x...(12)	C3  Z35PR x...(3)	D3  H=2 PZ35PR x...(3)	G34  3,5x16 x...(9)

I

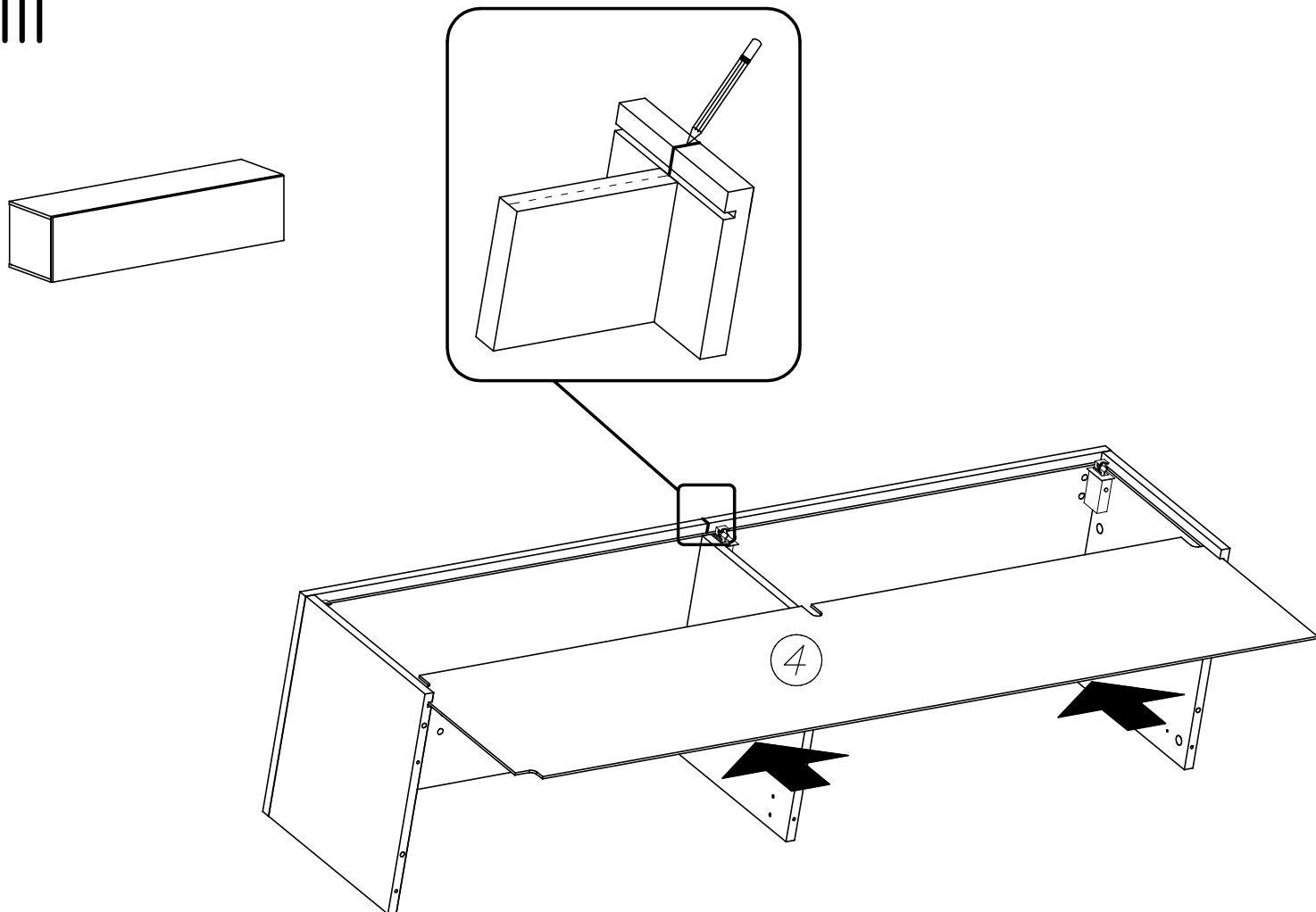




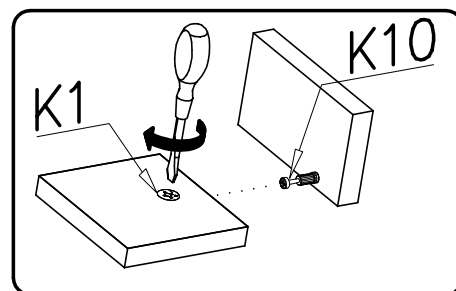
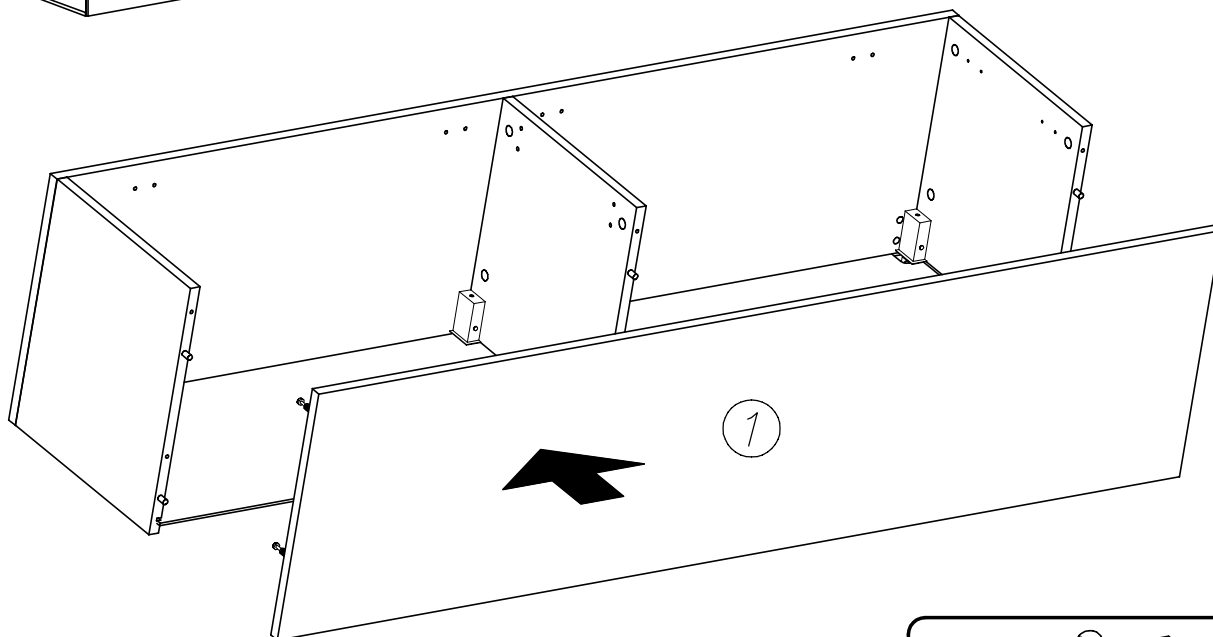
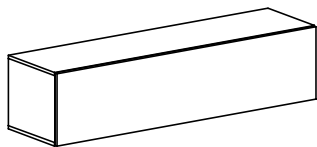
II



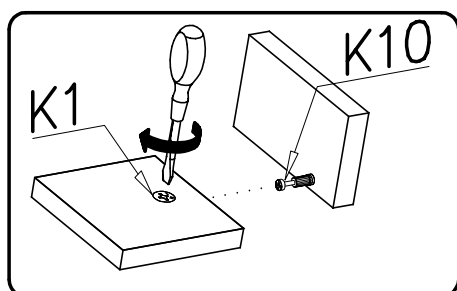
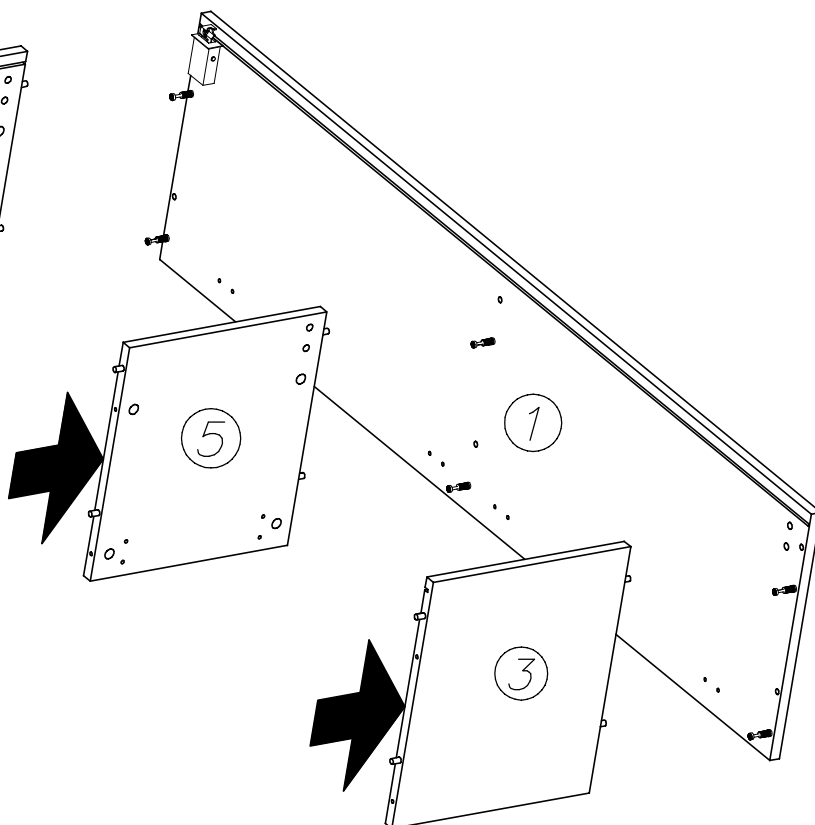
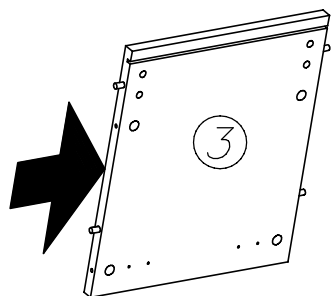
III



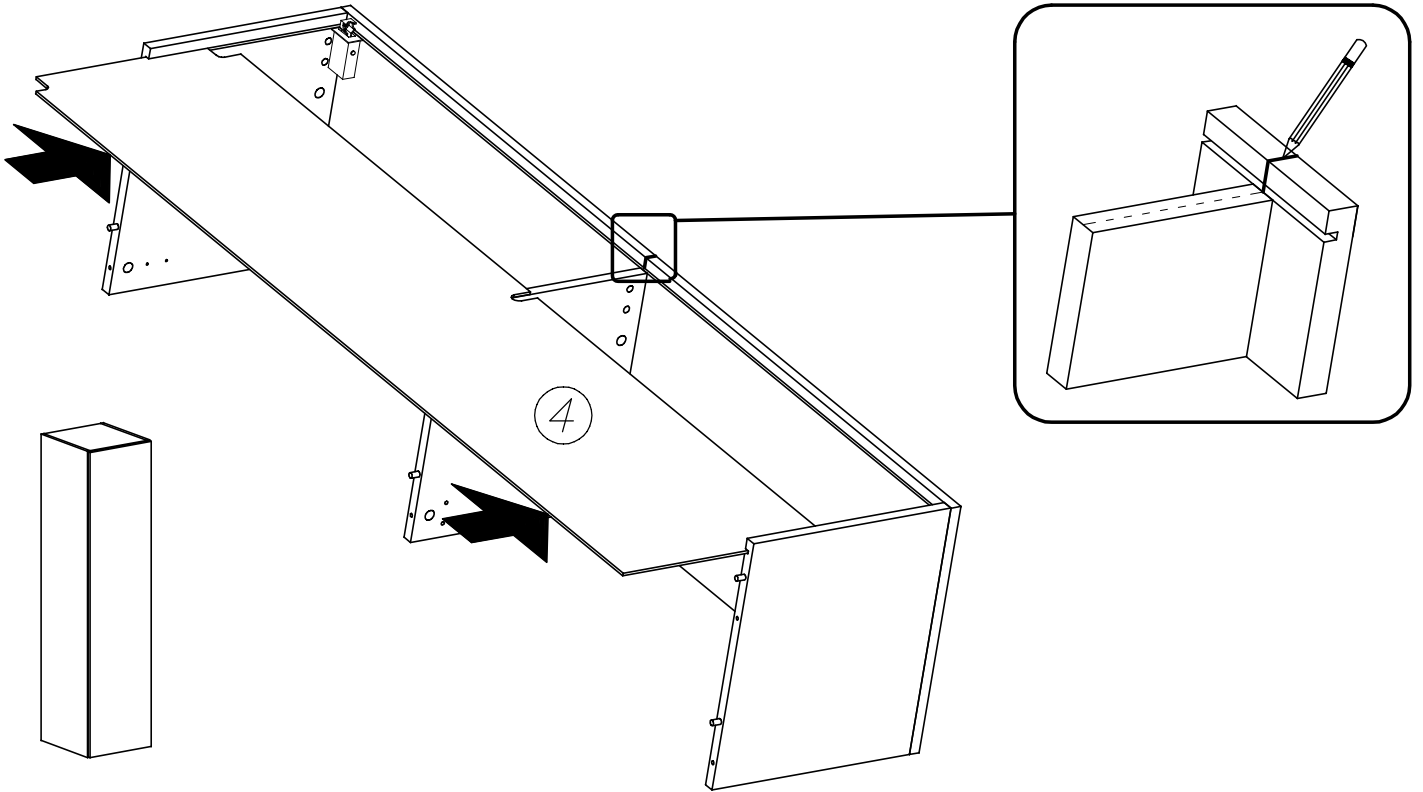
IV



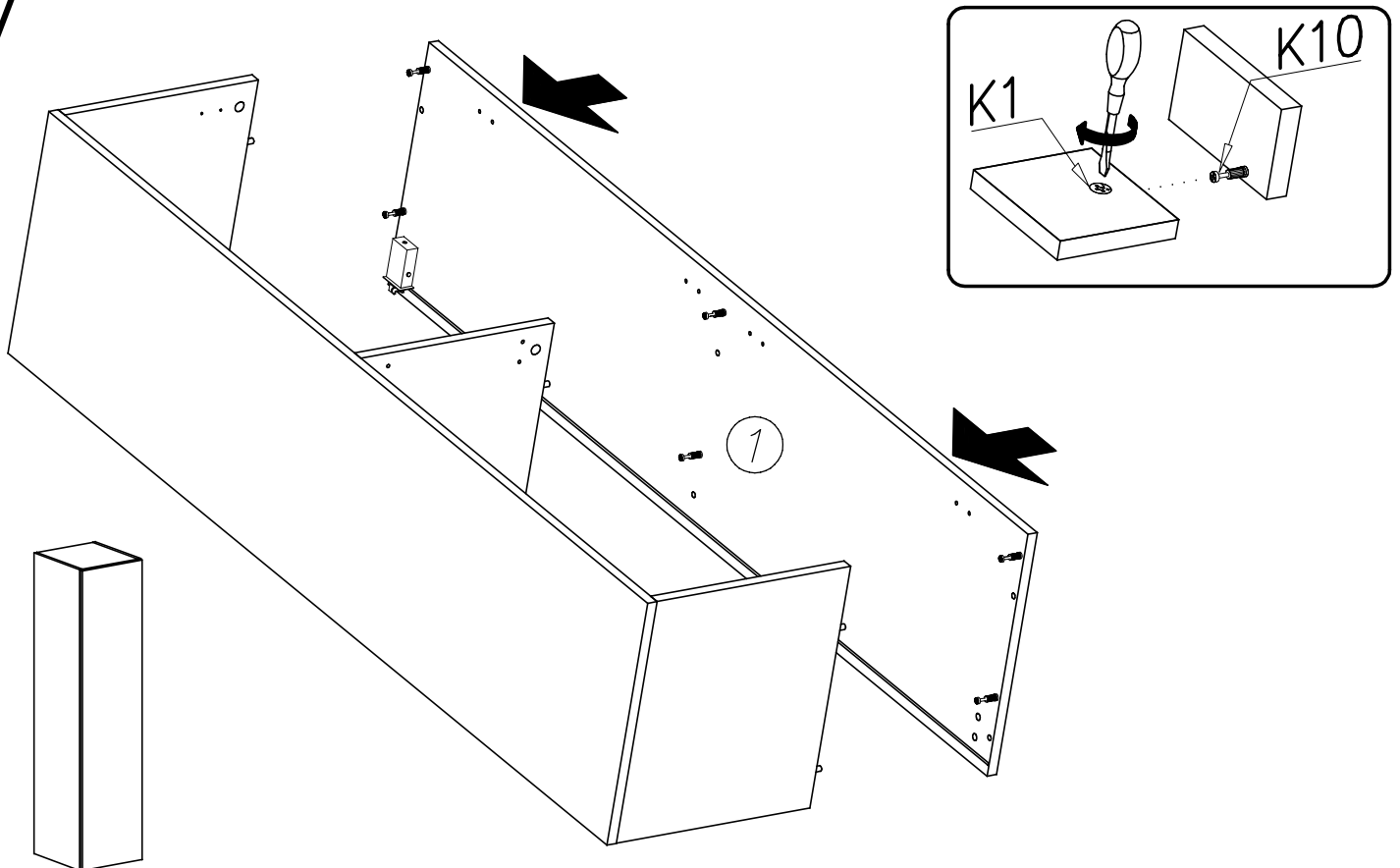
II

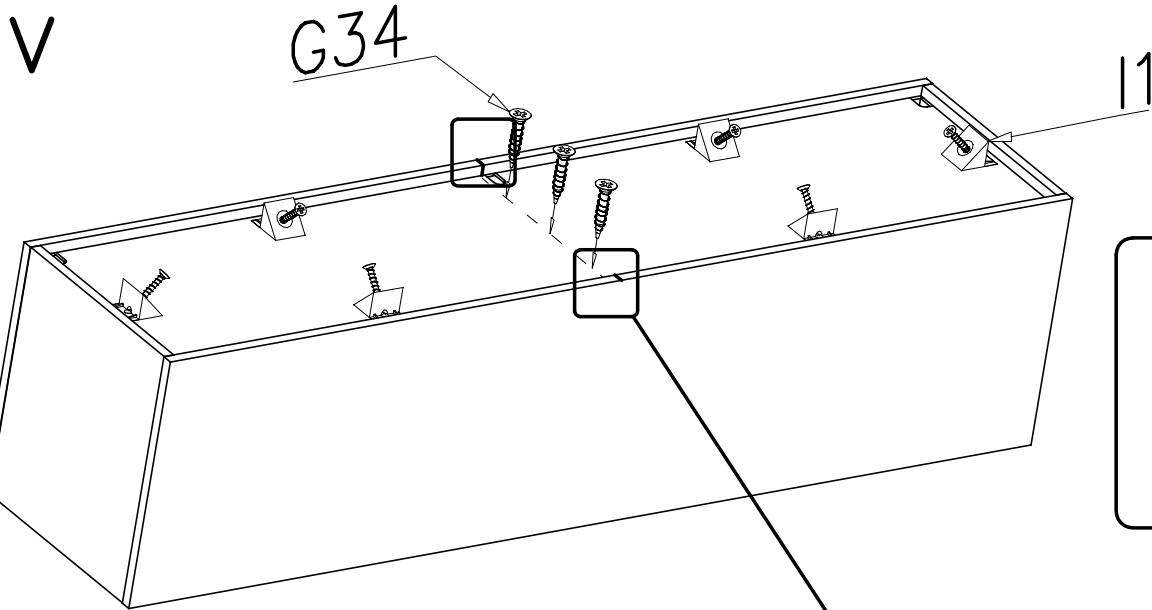


III

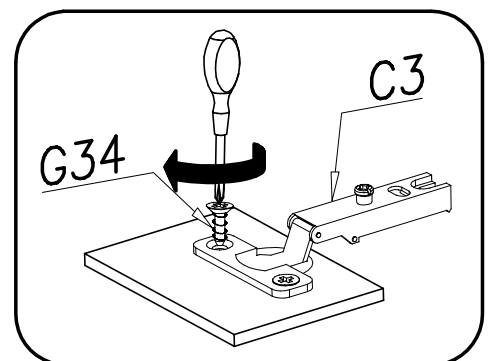
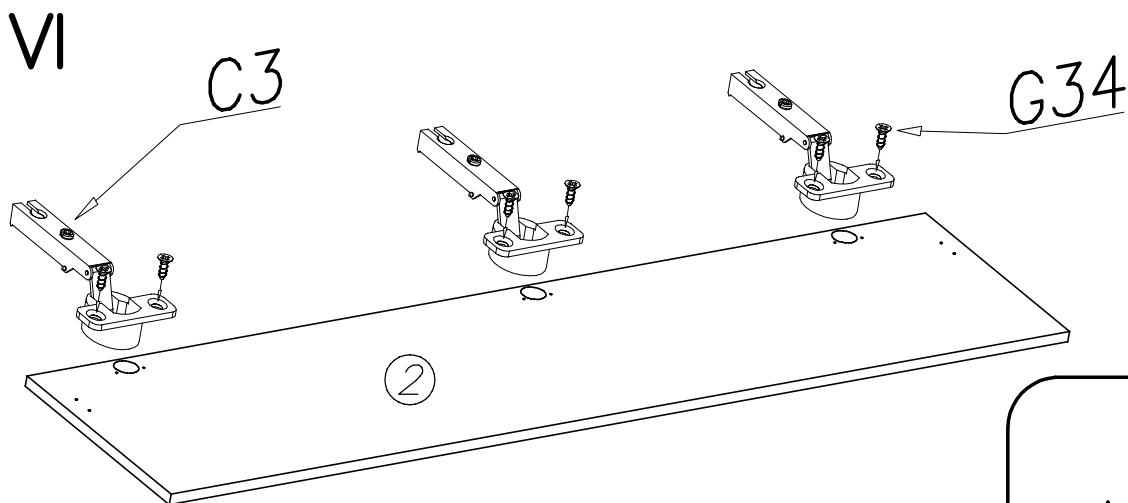
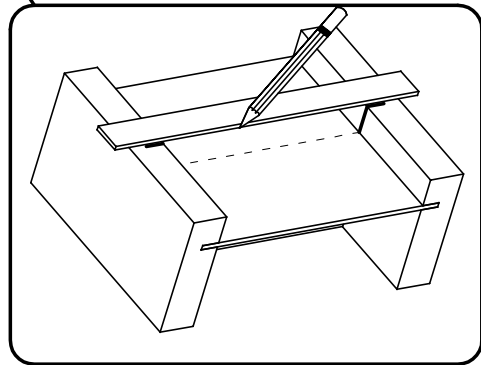
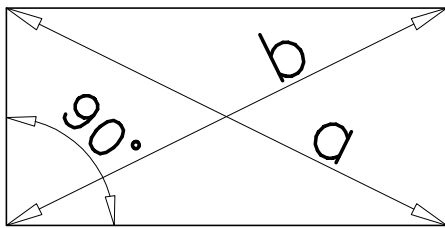


IV

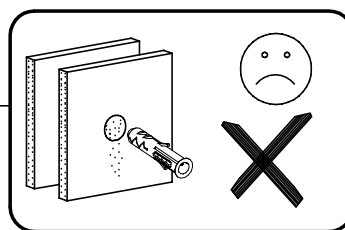
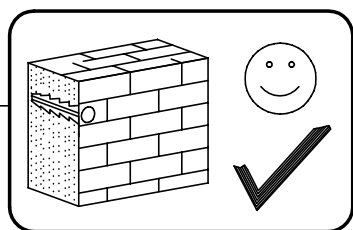
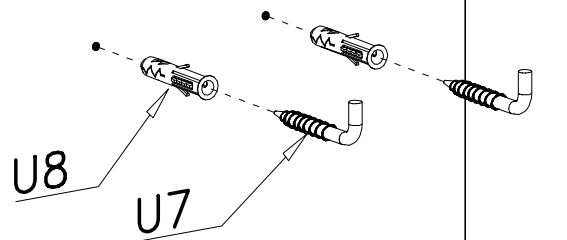
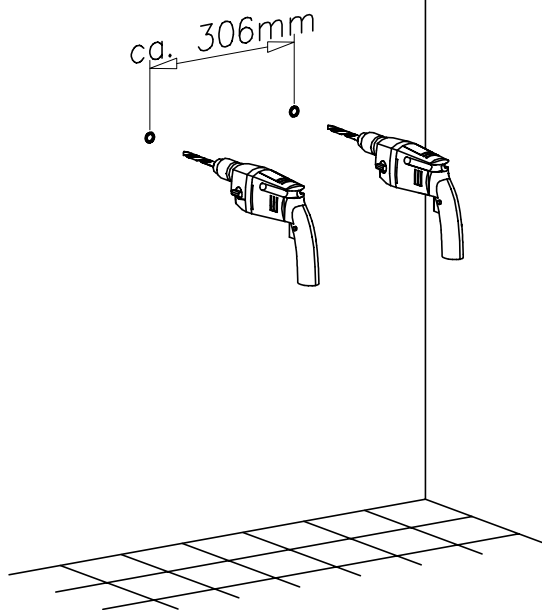
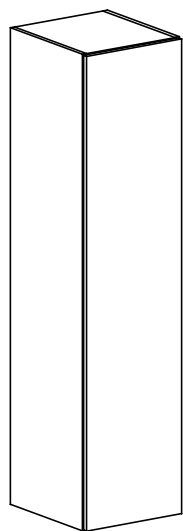




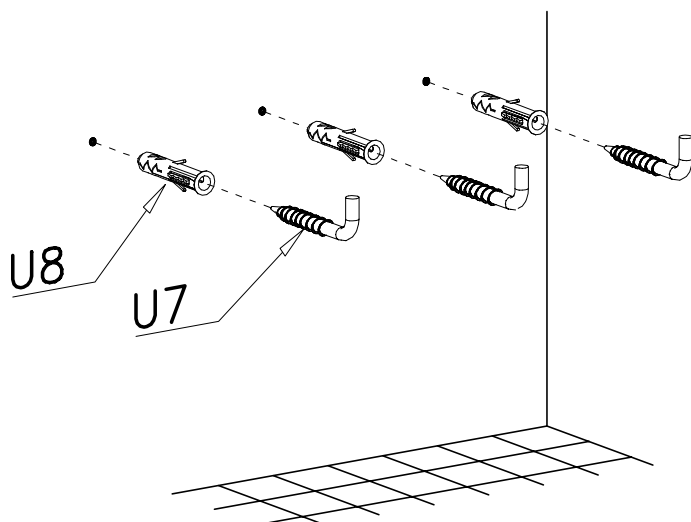
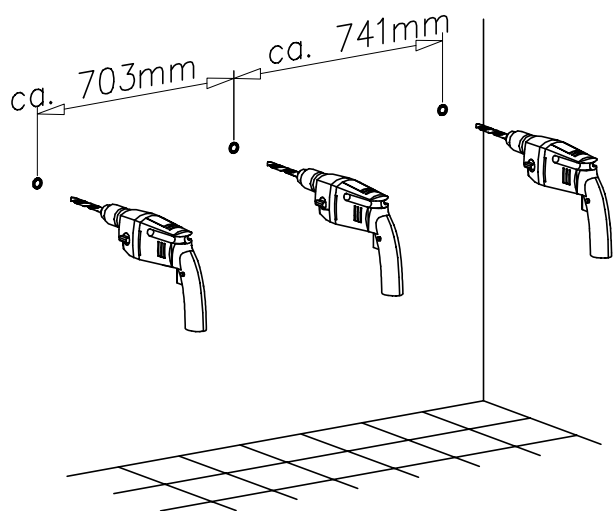
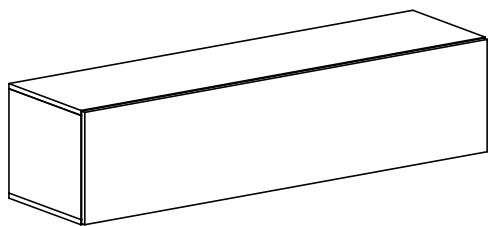
$$a = b$$



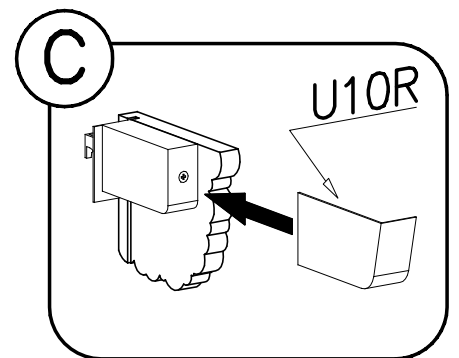
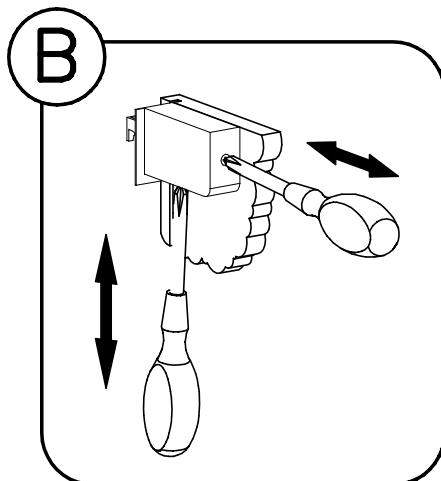
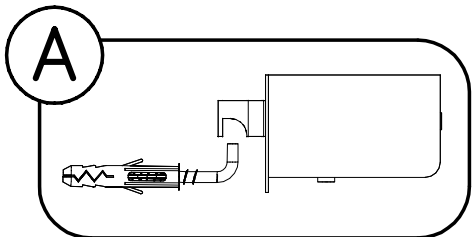
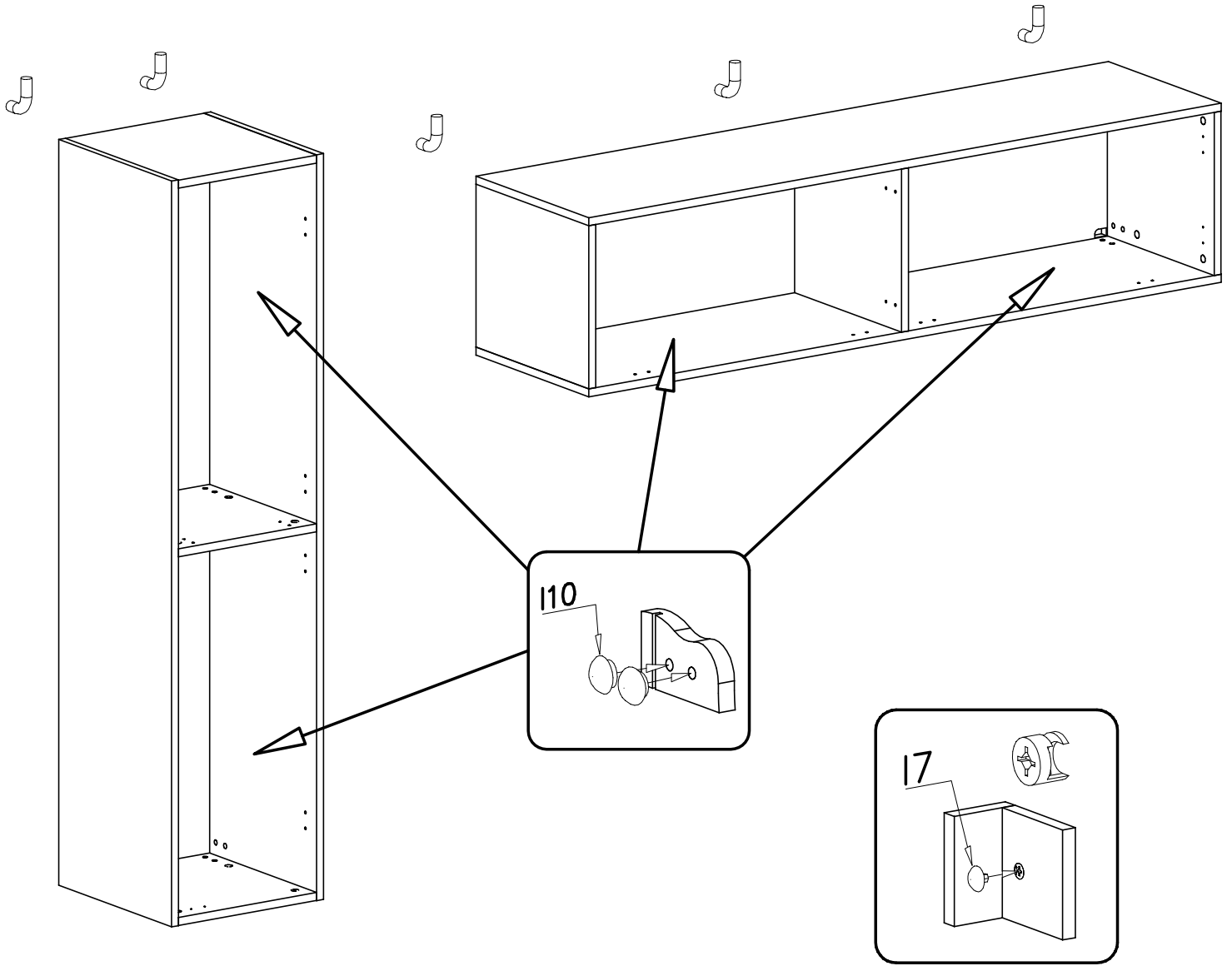
VII



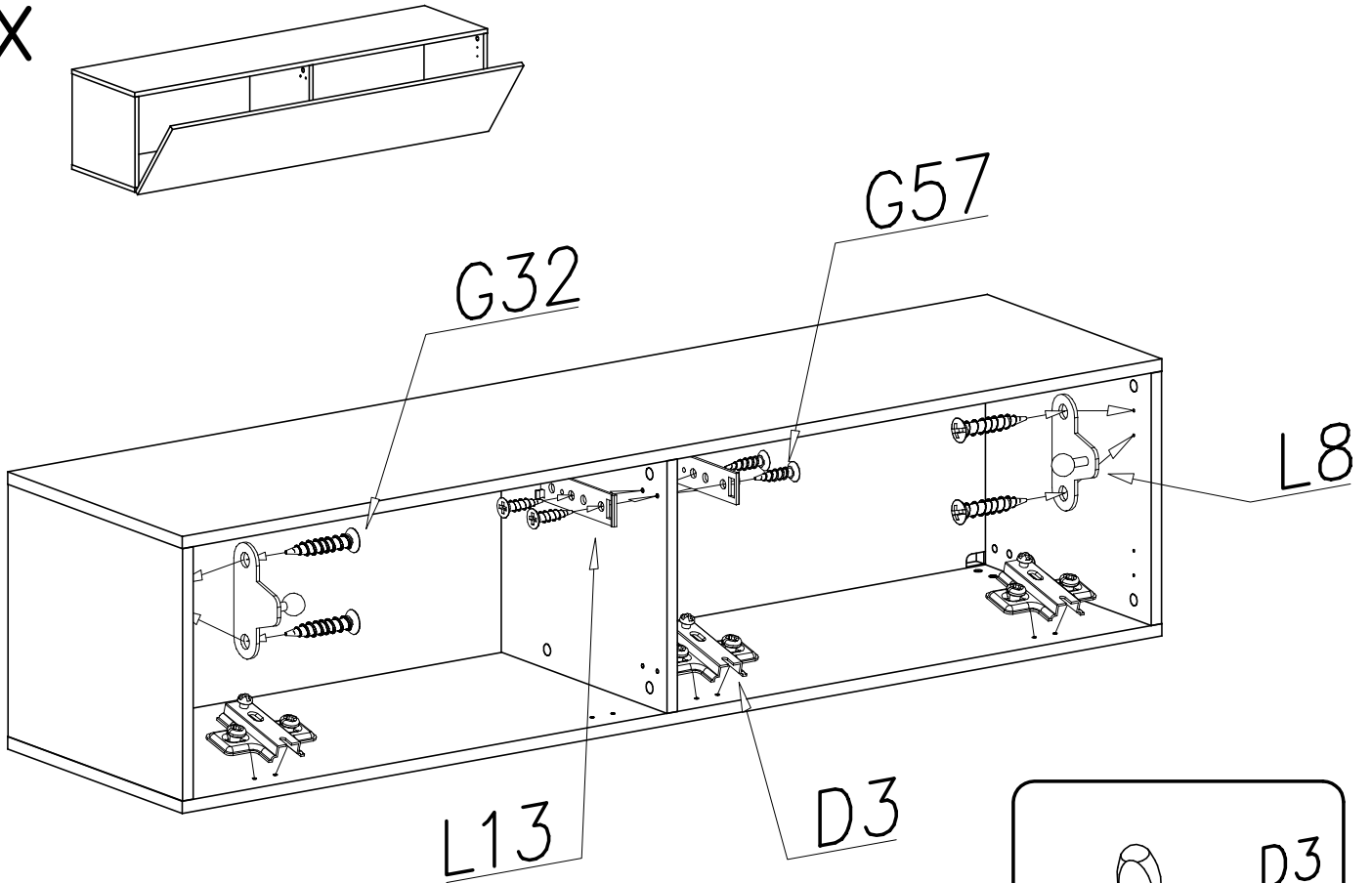
VII



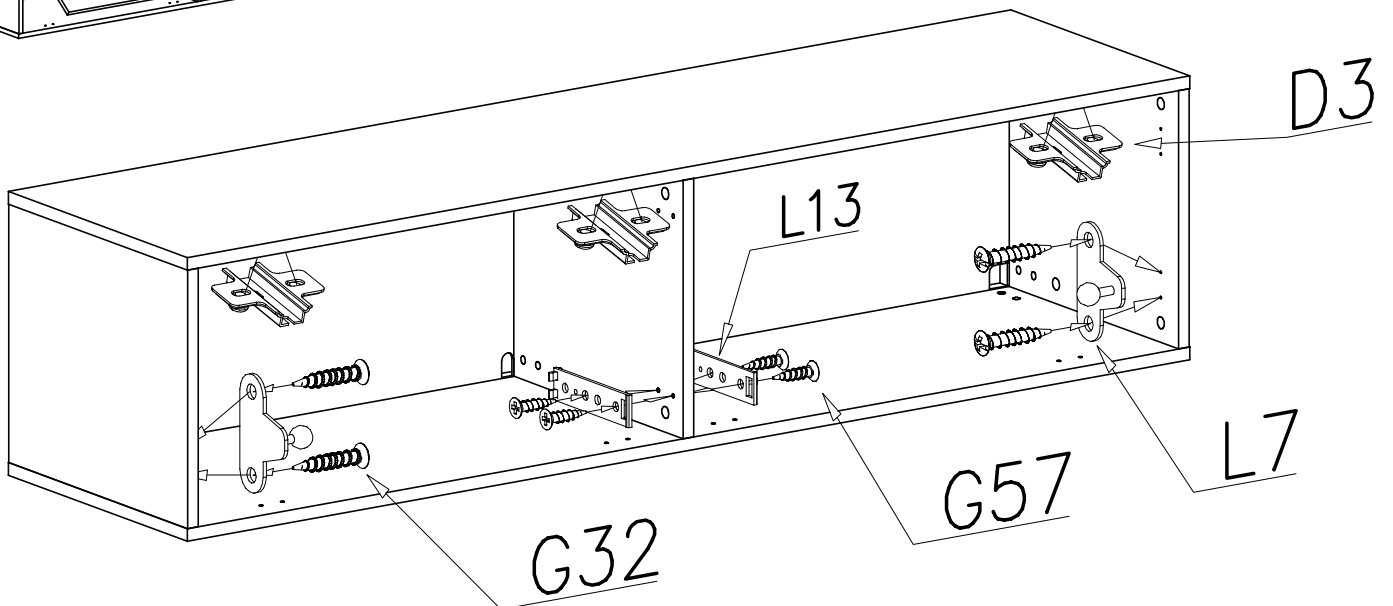
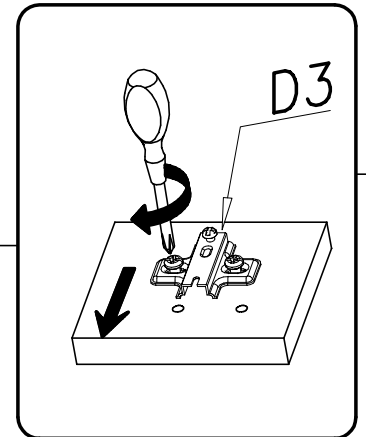
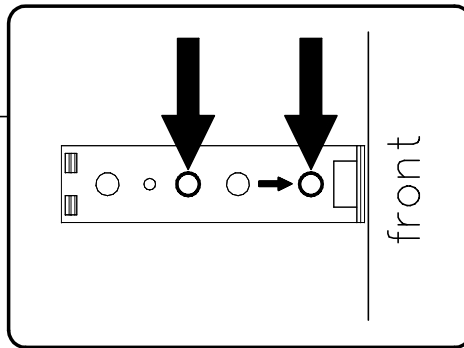
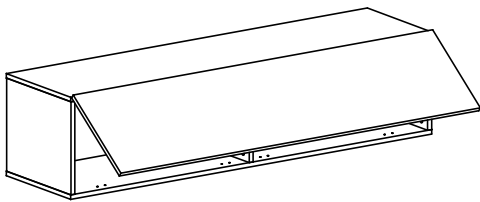
VIII



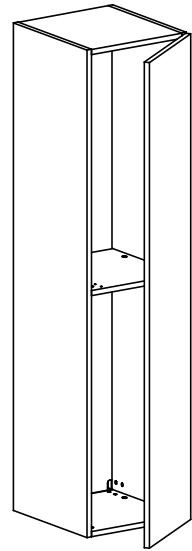
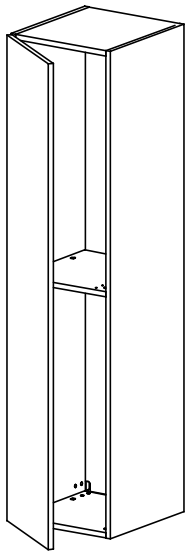
IX



IX

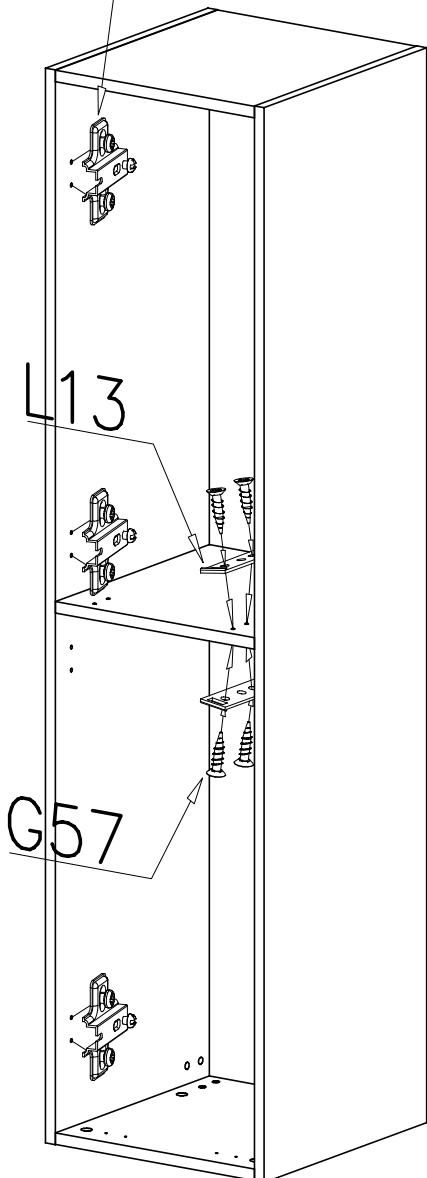
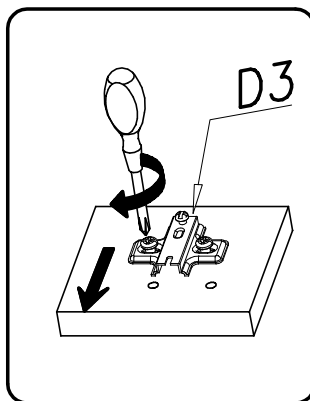
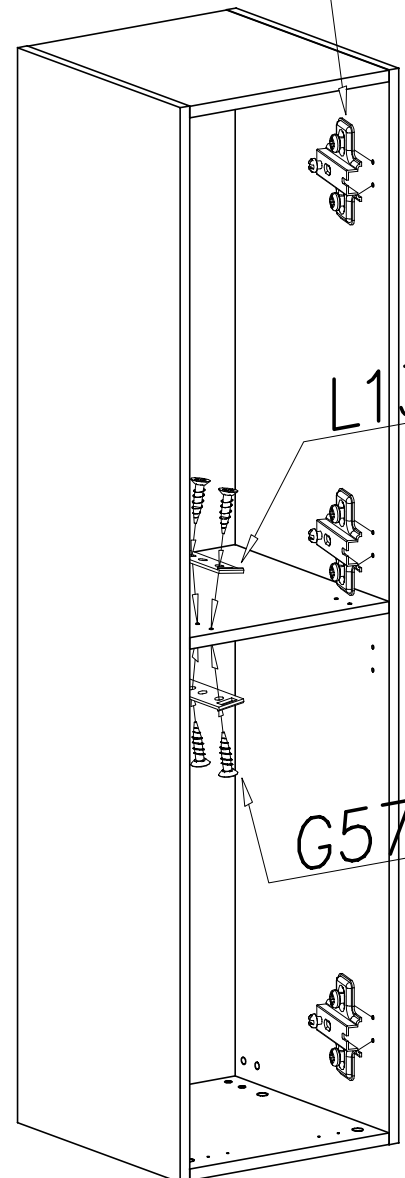
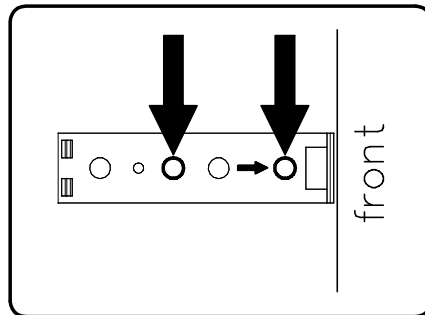


IX

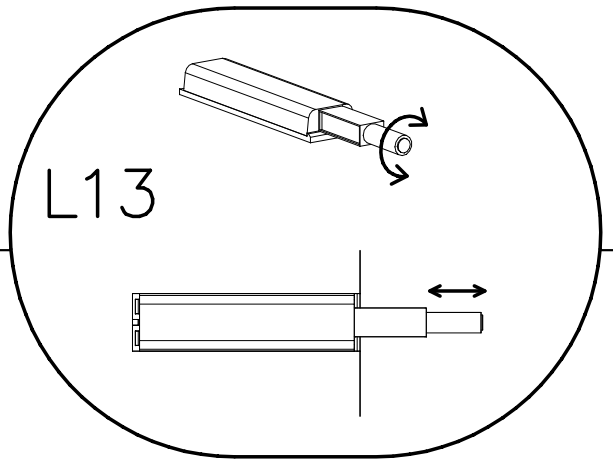
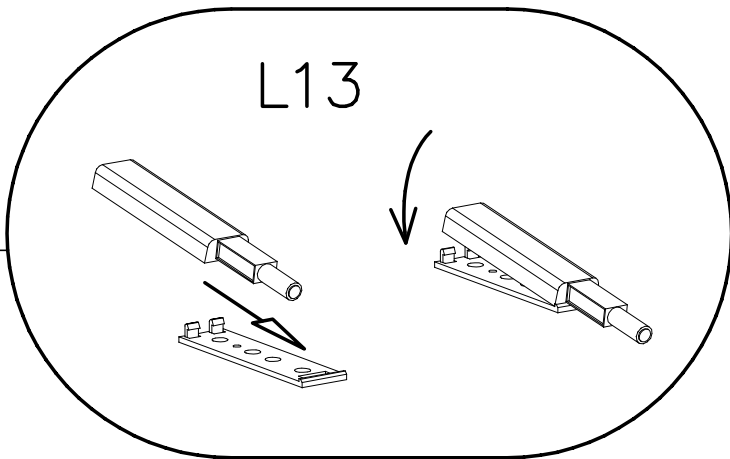
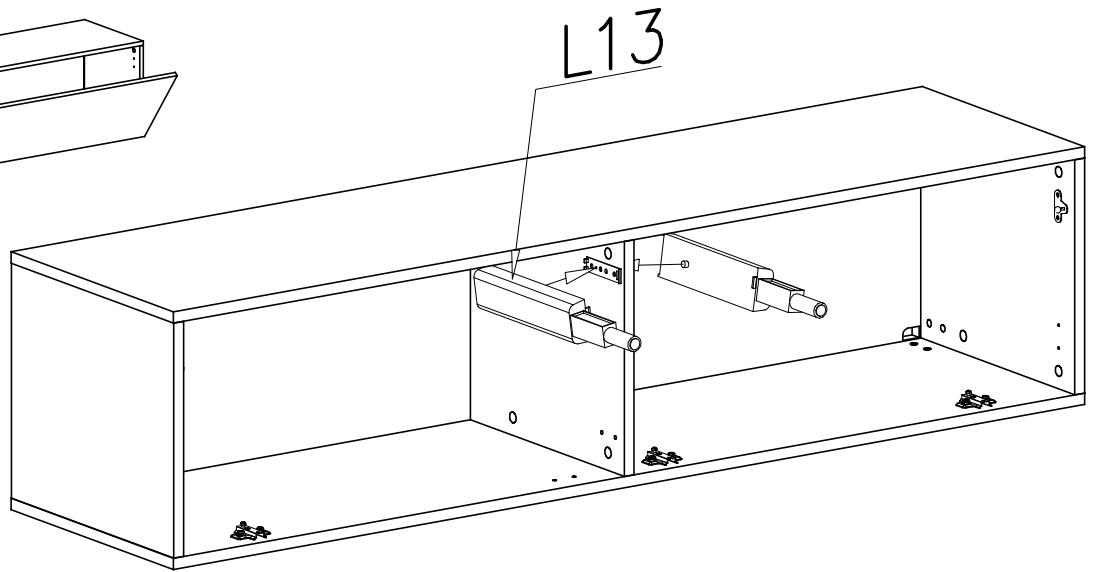
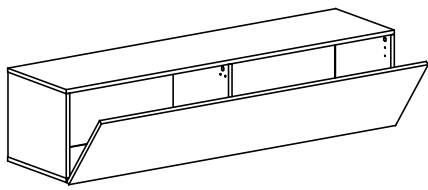


D3

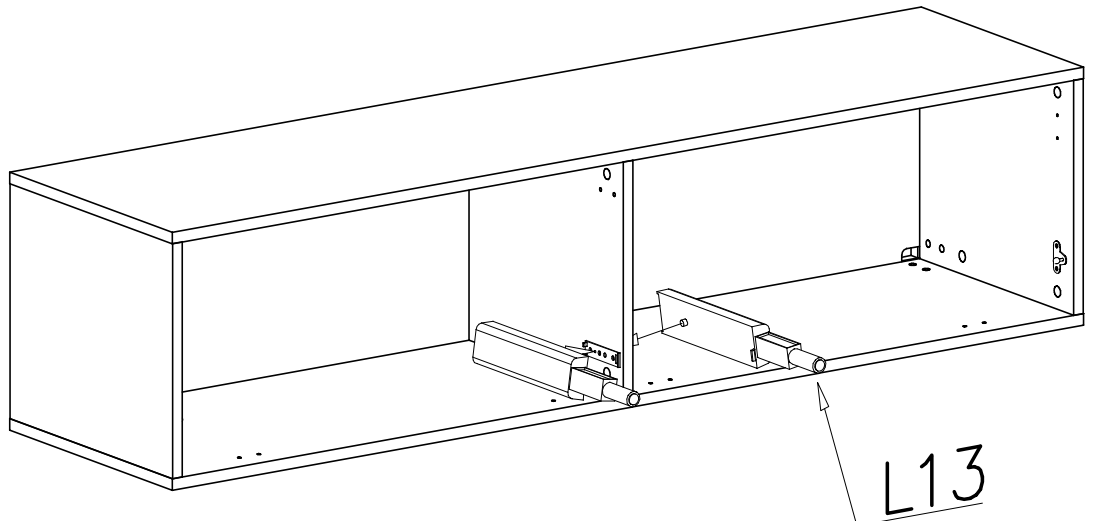
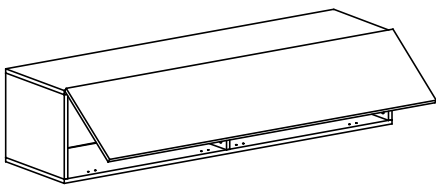
D3



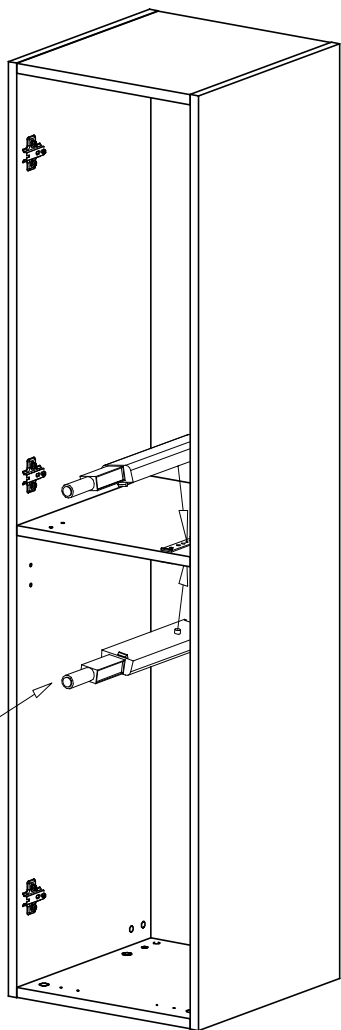
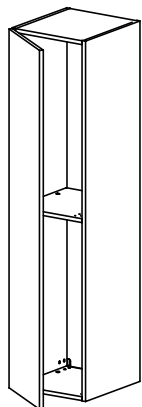
X



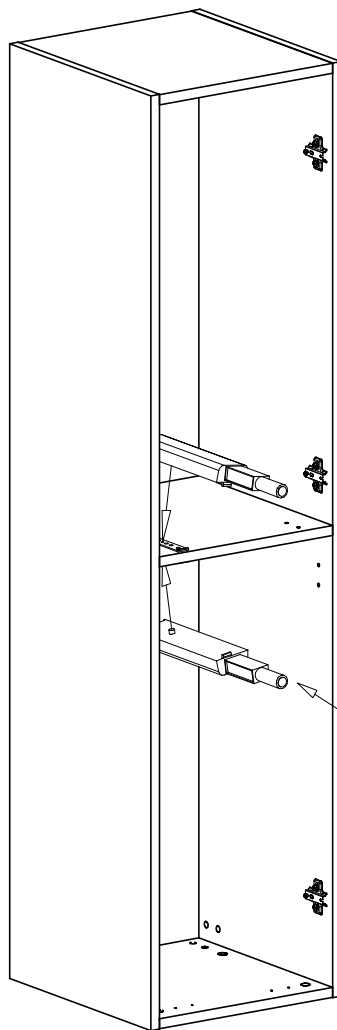
X



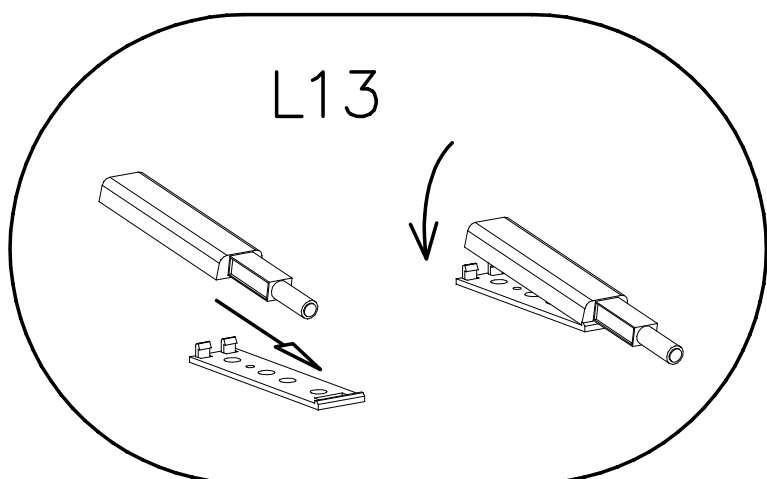
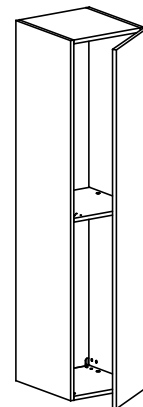
X



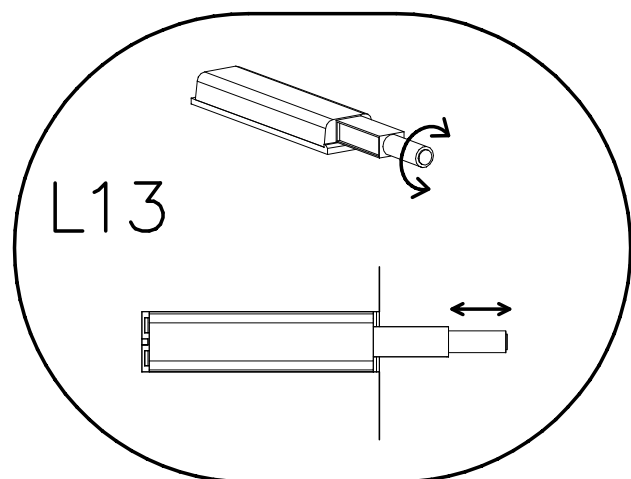
L13



L13

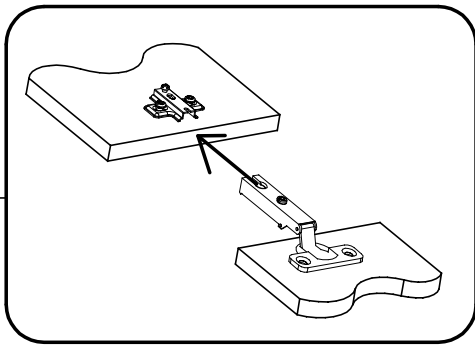
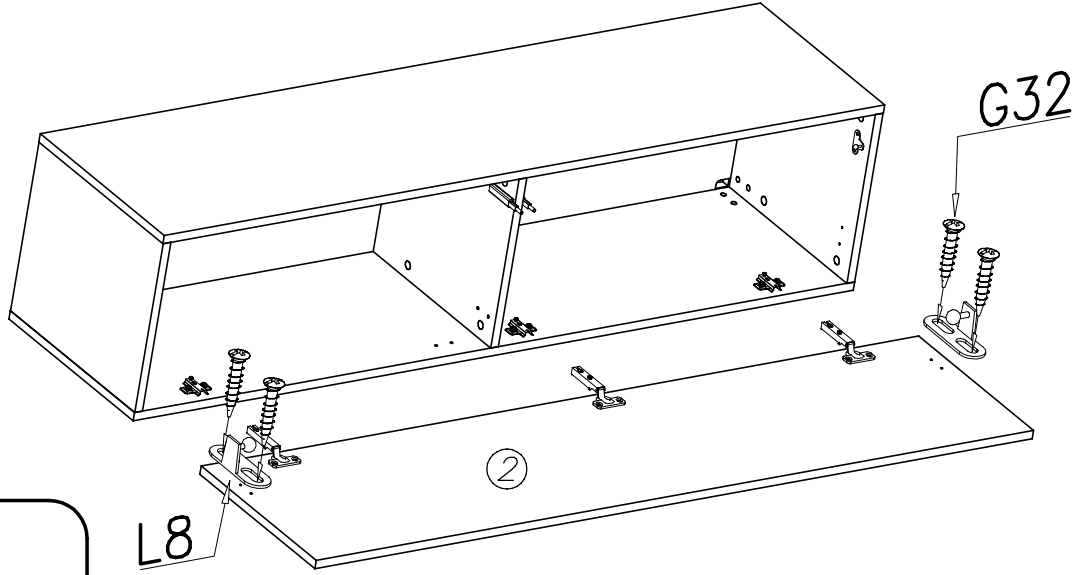
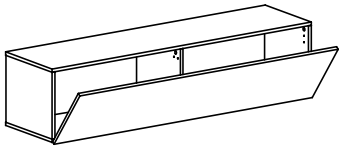


L13

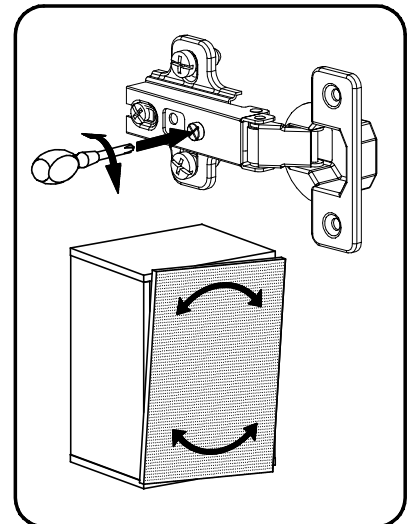
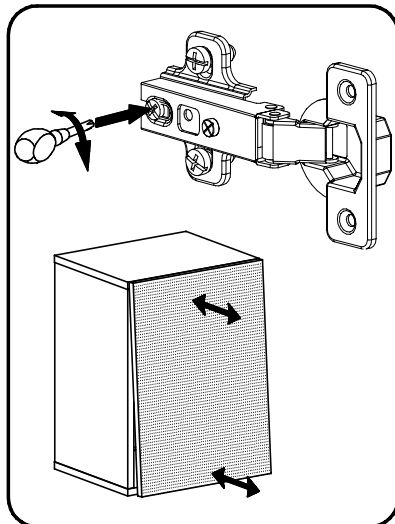
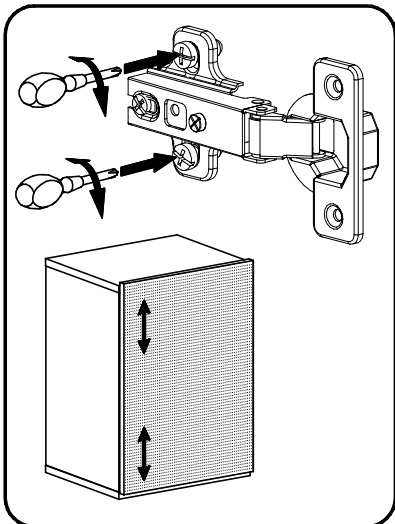
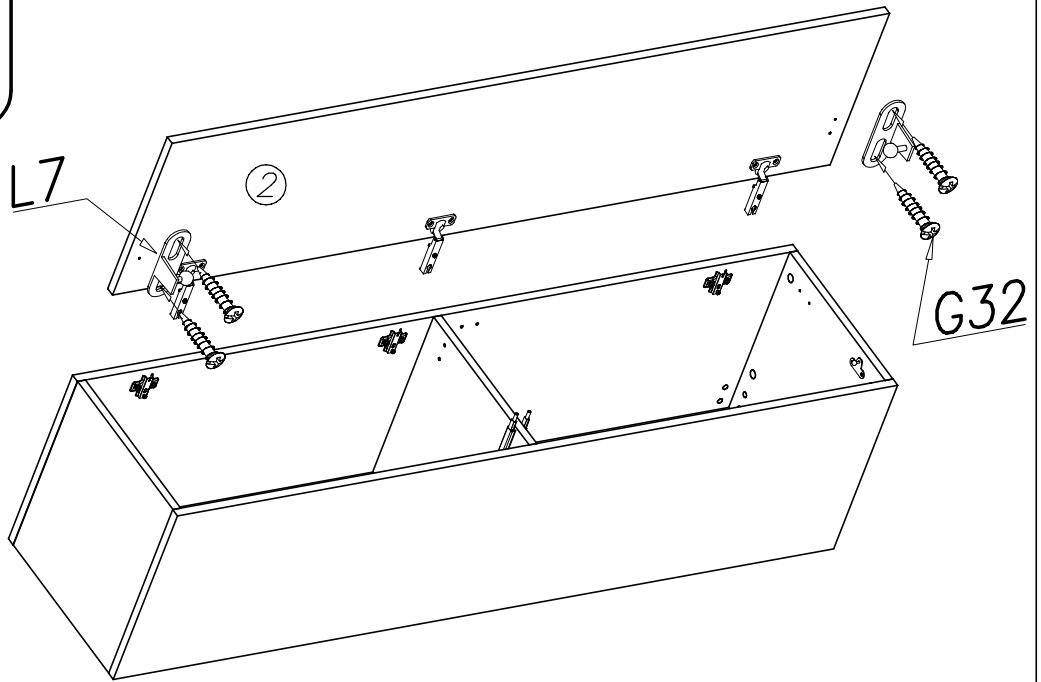
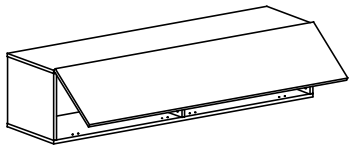


L13

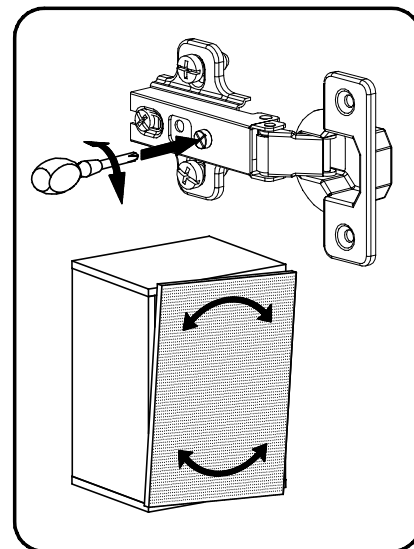
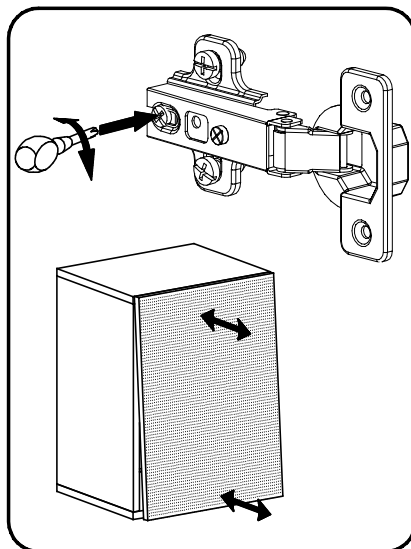
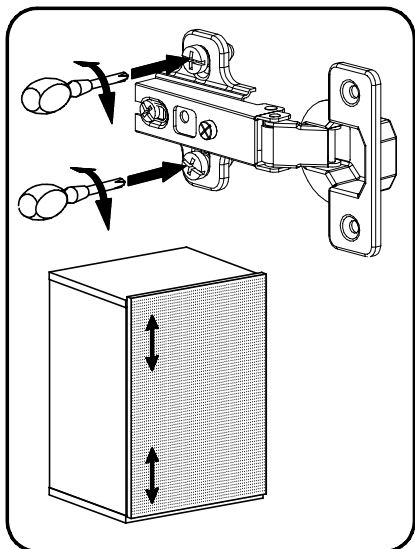
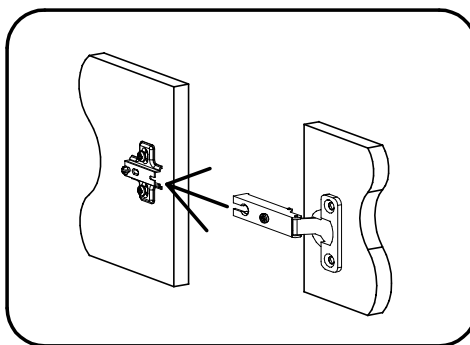
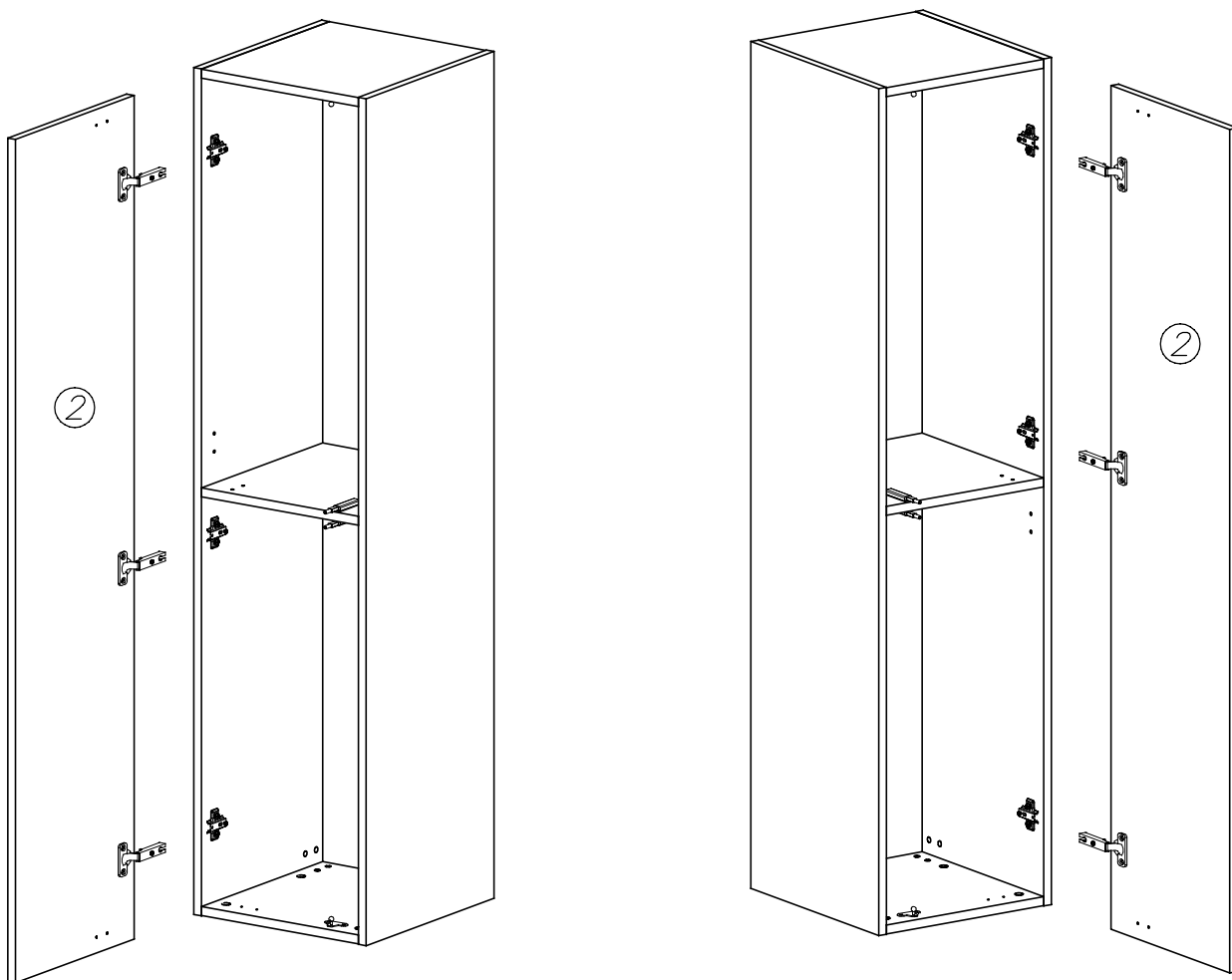
XI



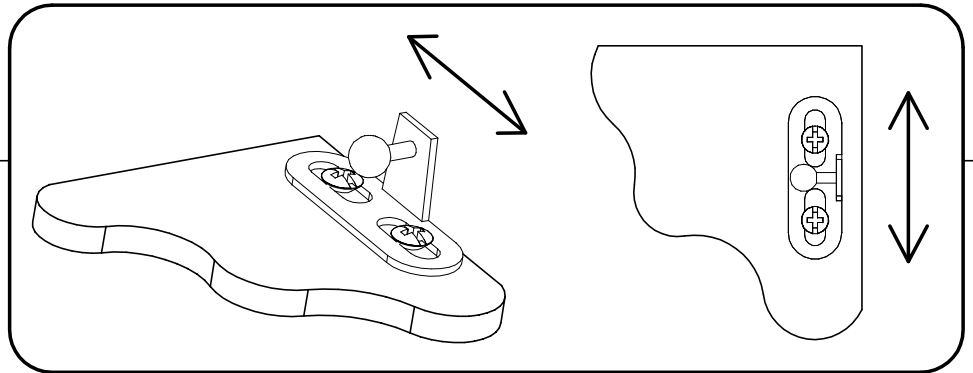
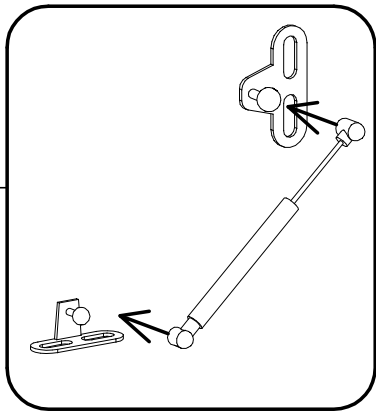
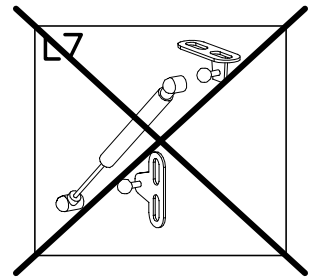
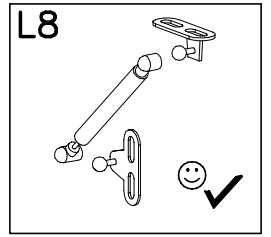
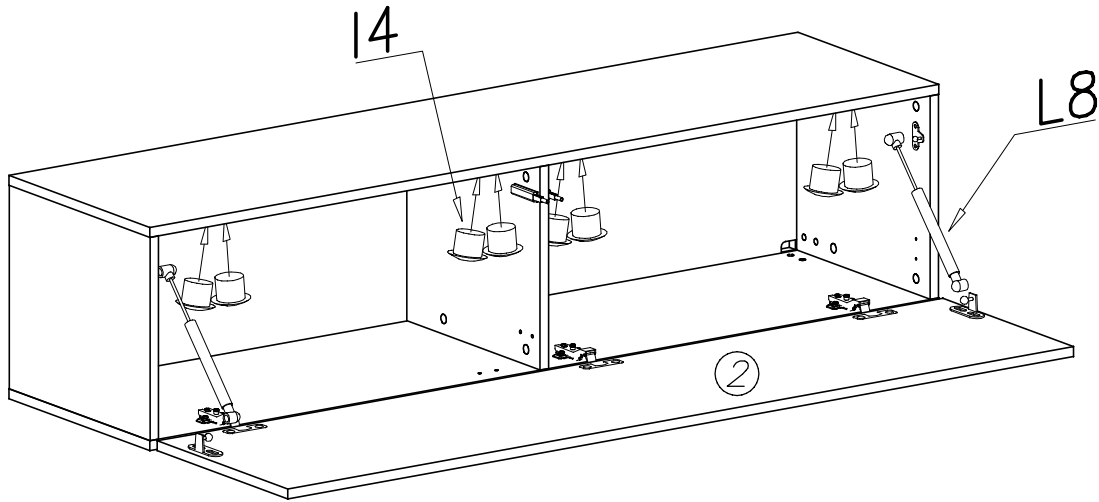
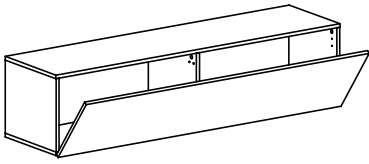
XI



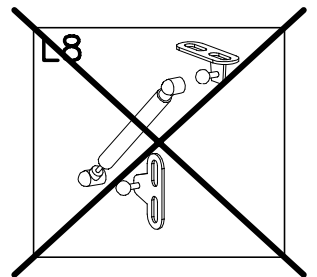
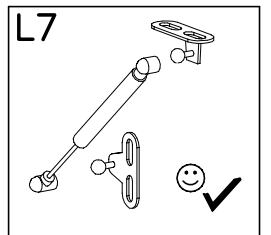
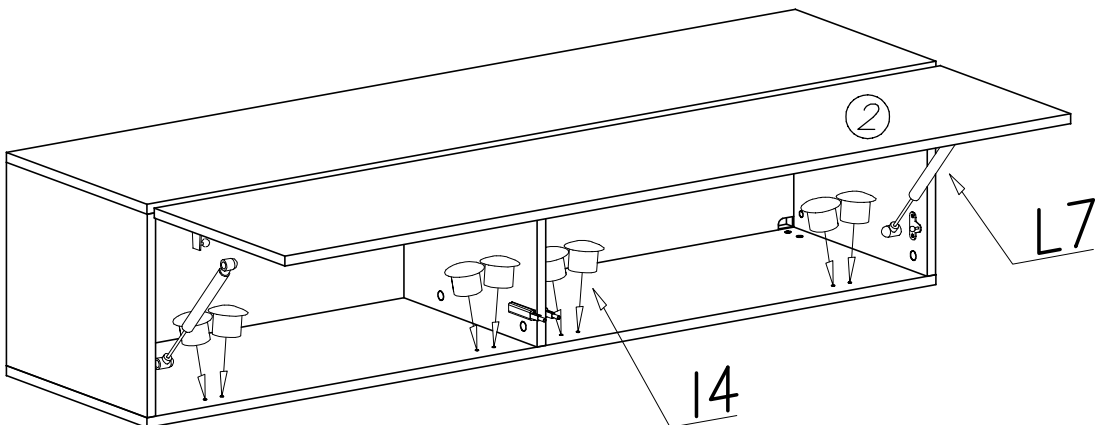
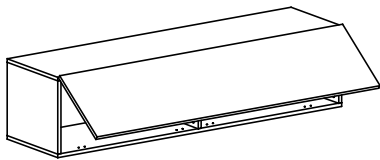
XI



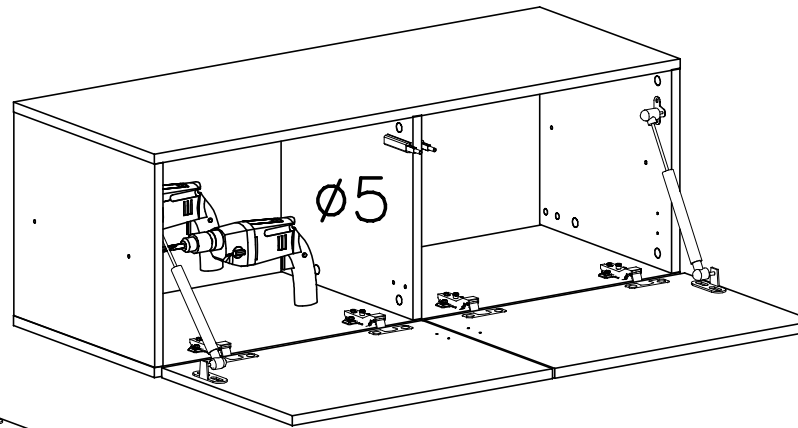
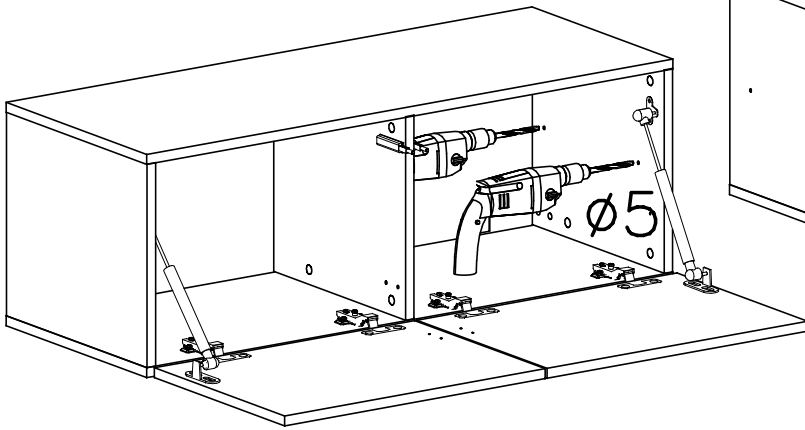
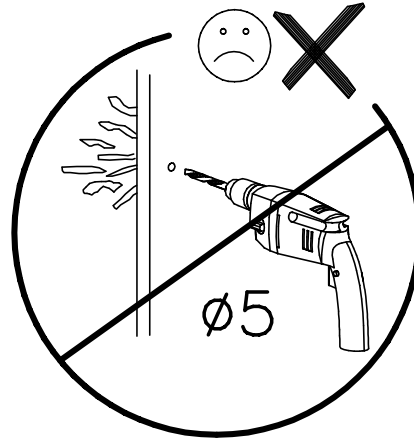
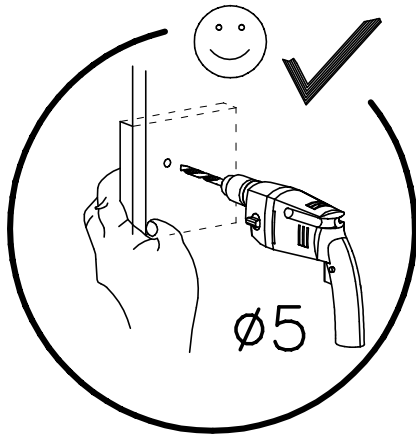
XII



XII



XIII



XIV

